

Towel shelf with lower bar

- Towel shelf made of AISI 304 stainless steel.
- Durability and resistance against corrosion.
- Suitable for public areas.
- Polish finished.



TECHNICAL DATA

- Made of AISI 304 stainless steel.
- Dimensions: 105 height x 630 width x 235 depth (mm).
- Equipped with fixing materials.
- Maintenance: stainless steel needs maintenance because dust can eventually damage the chrome in stainless steel. We recommend monthly cleaning with a stainless steel special product.

SUGGESTED TEXT FOR PRESCRIPTION

NOFER towel shelf with lower bar made of polish finished AISI 304 stainless steel. Dimensions: 105 height x 630 width x 235 depth (mm).



NOFER S.L.
 Avenida de la fama, 118
 08940 · Cornellà de Llobregat (Barcelona)
 Tel +34 934 742 423 · Fax +34 934 743 548
 export@nofer.com · www.nofer.com

Related Products



16906.B



16901.B



16902.B



16910.B

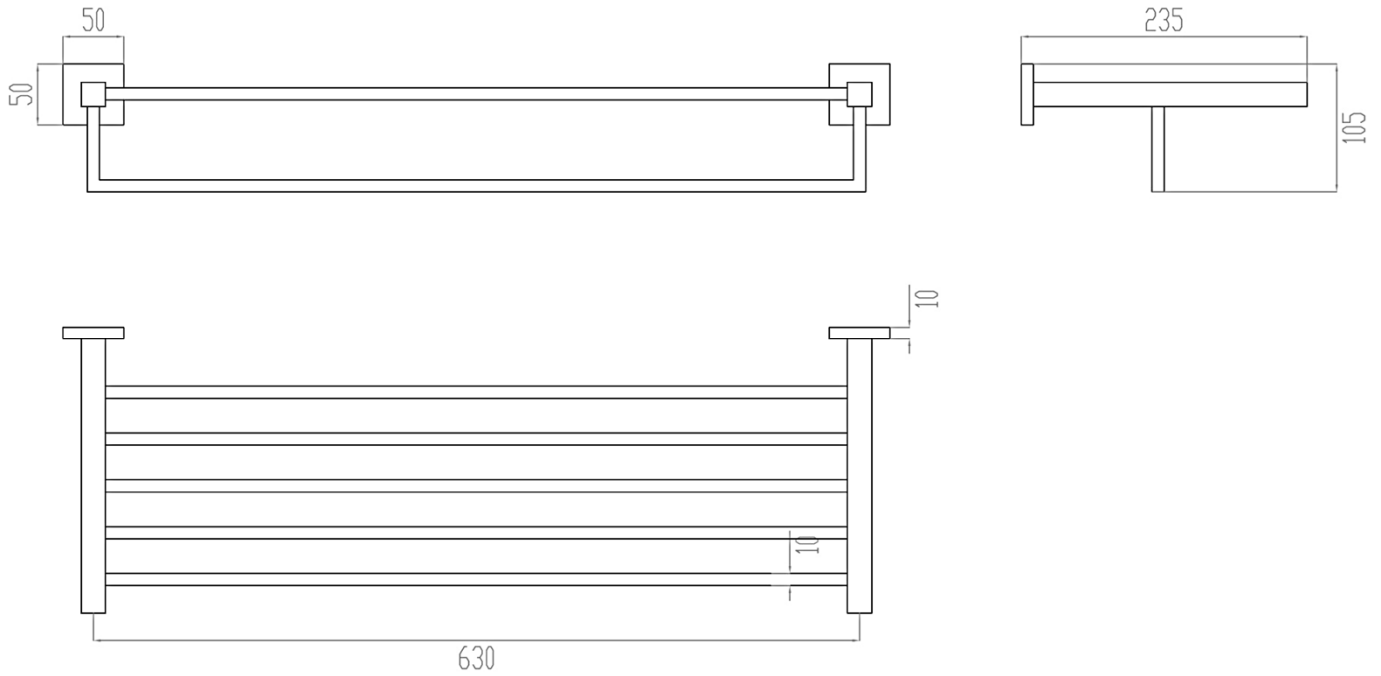


16907.B



16905.B

TECHNICAL DRAWING



NOFER S.L.
 Avenida de la fama, 118
 08940 · Cornellà de Llobregat (Barcelona)
 Tel +34 934 742 423 · Fax +34 934 743 548
 export@nofer.com · www.nofer.com

Related Products



16906.B



16901.B



16902.B



16910.B



16907.B



16905.B