

Glass for toothbrush with wall support

- Glass for toothbrush made of Stainless steel AISI 304.
- Durability and resistance against corrosion.
- Suitable for public areas.
- Polish finished



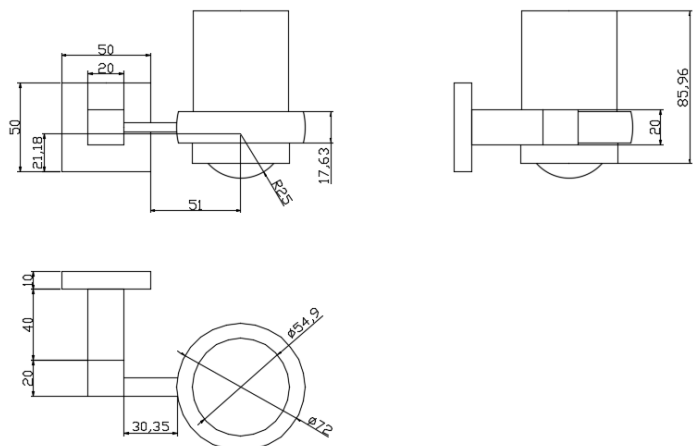
TECHNICAL DATA

- Made of Stainless steel AISI 304.
- Dimensions: 95 height x 136 width x 100 depth mm.
- Equipped with fixing materials.
- Maintenance: stainless steel needs maintenance because dust can eventually damage the chrome in stainless steel. We recommend monthly cleaning with a stainless steel special product.

SUGGESTED TEXT FOR PRESCRIPTION

NOFER or similar glass for toothbrush, made of polish finished AISI 304 stainless steel. Dimensions: 95 height x 136 width x 100 depth.

TECHNICAL DRAWING



NOFER S.L.
 Avenida de la fama, 118
 08940 · Cornellà de Llobregat (Barcelona)
 Tel +34 934 742 423 · Fax +34 934 743 548
 export@nofer.com · www.nofer.com

Related Products



16906.B



16901.B



16902.B



16910.B



16907.B



16905.B