

Toilet paper holder

- Toilet paper holder.
- Durability and resistance against rust and corrosion.
- Suitable for public areas.
- Easy to clean.



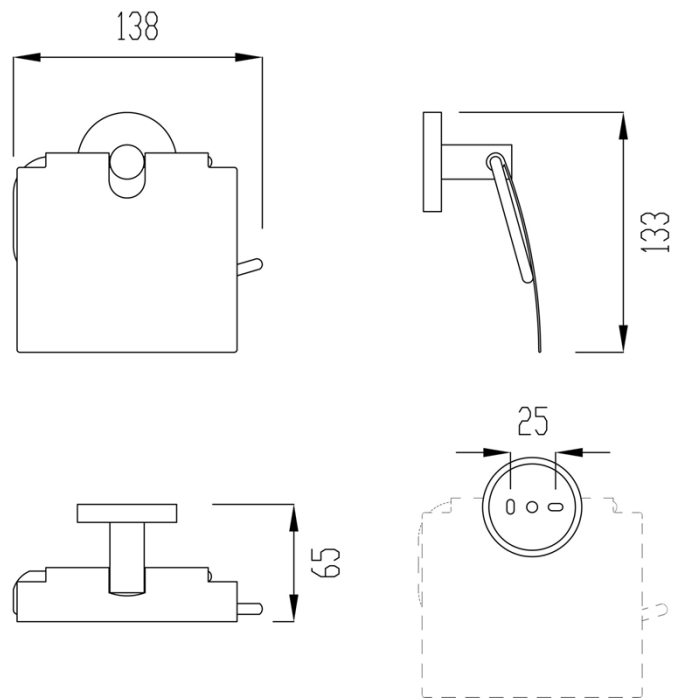
TECHNICAL DATA

- Made of satin finished AISI 304 stainless steel.
- Dimensions: 133 high, 138 width, 65 depth (mm).
- Concealed fixing.
- Equipped with fixing materials.
- Maintenance: stainless steel needs maintenance because dust can eventually damage the chrome in stainless steel. We recommend monthly cleaning with a stainless steel special product.

SUGGESTED TEXT FOR PRESCRIPTION

NOFER or similar toilet paper holder, made of satin finished AISI 304 stainless steel. Dimensions: 133 high, 138 width, 65 depth (mm).

TECHNICAL DRAWING



DIMENSIONS IN mm



NOFER S.L.
 Avenida de la fama, 118
 08940 · Cornellà de Llobregat (Barcelona)
 Tel +34 934 742 423 · Fax +34 934 743 548
 export@nofer.com · www.nofer.com

Related Products

