

**Toilet paper holder**

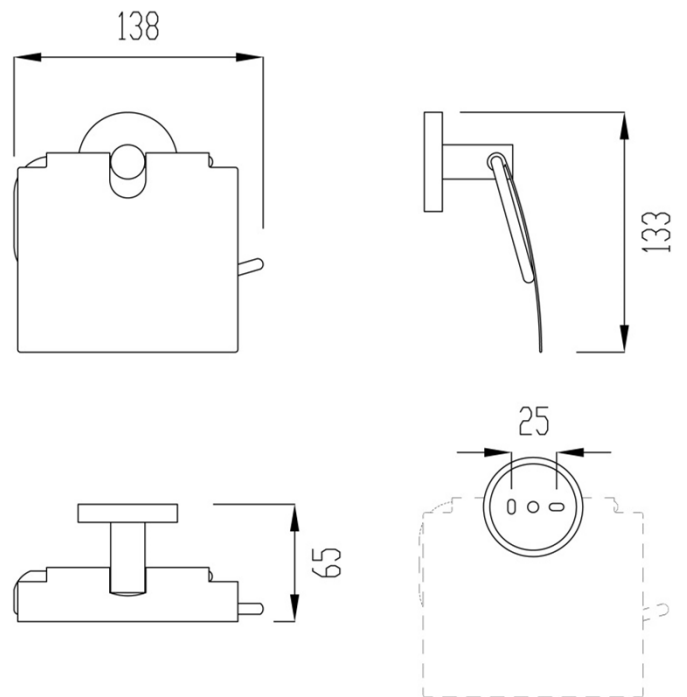
- Toilet paper holder.
- Durability and resistance against rust and corrosion.
- Suitable for public areas.
- Easy to clean.


**TECHNICAL DATA**

- Made of polish finished AISI 304 stainless steel.
- Dimensions: 133 height x 138 width x 65 depth (mm).
- Concealed fixing.
- Equipped with fixing materials.
- Maintenance: stainless steel needs maintenance because dust can eventually damage the chrome in stainless steel. We recommend monthly cleaning with a stainless steel special product.

**SUGGESTED TEXT FOR PRESCRIPTION**

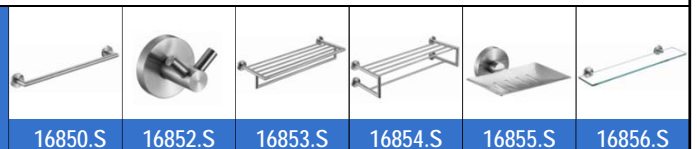
NOFER or similar toilet paper holder, made of polish finished AISI 304 stainless steel. Dimensions: 133 height x 138 width x 65 depth (mm).

**TECHNICAL DRAWING**


DIMENSIONS IN mm



NOFER S.L.  
 Avenida de la fama, 118  
 08940 · Cornellà de Llobregat (Barcelona)  
 Tel +34 934 742 423 · Fax +34 934 743 548  
 export@nofer.com · www.nofer.com

**Related Products**


16850.S

16852.S

16853.S

16854.S

16855.S

16856.S