

Toilet paper holder reserve

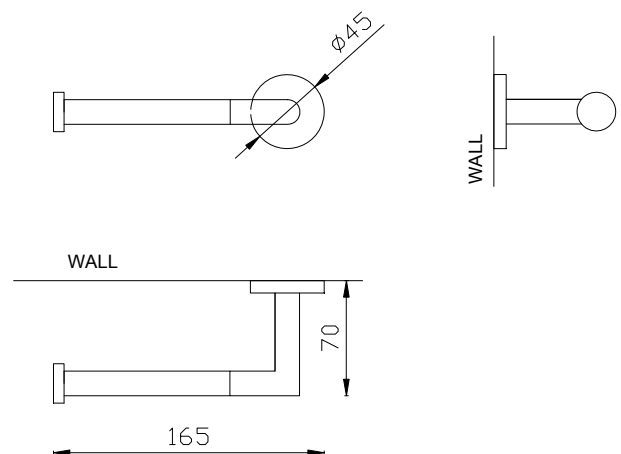
- Toilet paper holder reserve.
- Durability and resistance against corrosion.
- Suitable for public areas.
- Polish finished. Also available in satin finished (NOFER 16505.S) and white finished (NOFER 16505.W).


TECHNICAL DATA

- Made in Zamac (alloy of zinc, aluminum, magnesium and copper).
- Dimensions: support Ø 45 mm, 70 mm depth x 165 mm width.
- Hidden wall fixations included.

SUGGESTED TEXT FOR PRESCRIPTION

NOFER or similar toilet paper holder reserve, made in zamac.
Dimensions: support Ø 45 mm, 70 mm depth x 165 mm width.

TECHNICAL DRAWING


NOFER S.L.
Avenida de la fama, 118
08940 · Cornellà de Llobregat (Barcelona)
Tel +34 934 742 423 · Fax +34 934 743 548
export@nofer.com · www.nofer.com

Related Products
