

Towel rail

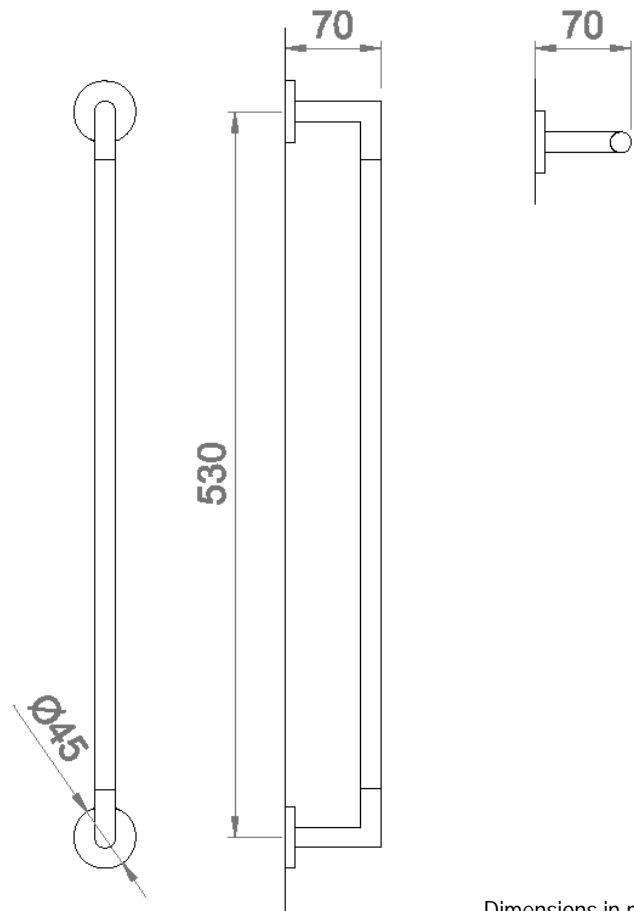
- Towel rail for bathroom.
- Easy to clean.
- Durability and resistance to rust.
- Suitable for collectivities.



TECHNICAL DATA

- Made of Zamac, polish finish.
- Dimensions: 45 high x 530 wide x 70 deep mm. Wall support: Ø 45 mm. Bar: Ø 16 mm.
- Hidden anchor mechanism. Fixing materials included.

TECHNICAL DRAWING



SUGGESTED TEXT FOR PRESCRIPTION

Towel rail NOFER or similar, made of Zamac. Polish finish.
 Dimensions: 45 high x 530 wide x 70 deep mm. Wall support: Ø 45 mm. Bar: Ø 16 mm.



NOFER S.L.
 Avenida de la fama, 118
 08940 · Cornellà de Llobregat (Barcelona)
 Tel +34 934 742 423 · Fax +34 934 743 548
 export@nofer.com · www.nofer.com

Related Products

