

Soap dish

- Soap dish.
- Durability and resistance.
- Easy to install and clean.
- Polish finished.



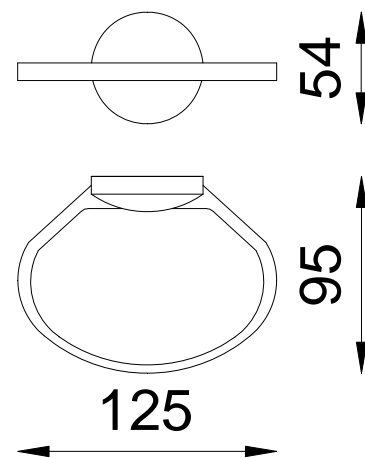
COMPONENTS AND TECHNICAL SPECIFICATIONS

- Made in Zamac.
- Dimensions: 125 mm width x 95 mm depth x 54 mm high.
- Fixing components included.

SUGGESTED TEXT FOR PRESCRIPTION

NOFER or similar soap dish made in Zamac. Dimensions: 125 mm width x 95 mm depth x 54 mm high.

TECHNICAL DRAWING



NOFER S.L.
 Avenida de la fama, 118
 08940 - Cornellà de Llobregat (Barcelona)
 Tel +34 934 742 423 · Fax +34 934 743 548
 nofer@nofer.com · www.nofer.com

Related Products

