

Towel rail

- Towel rail with two bars in Zamac.
- Easy to clean.
- Durability and resistance to rust.
- Polish finish.



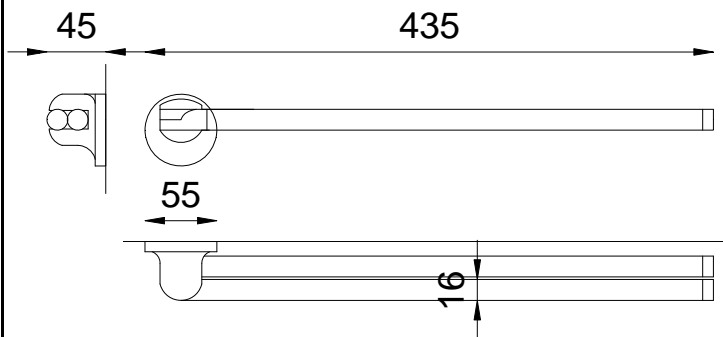
TECHNICAL DATA

- Made of Zamac.
- Dimensions: 55 high x 435 wide x 45 deep mm. Bars: Ø 16 mm.
- Fixing materials included.

SUGGESTED TEXT FOR PRESCRIPTION

Towel rail NOFER or similar, in Zamac polish finish. Dimensions: 55 high x 435 wide x 45 deep mm. Bars: Ø 16 mm.

TECHNICAL DRAWING



Dimensions in mm



NOFER S.L.  
 Avenida de la fama, 118  
 08940 · Cornellà de Llobregat (Barcelona)  
 Tel +34 934 742 423 · Fax +34 934 743 548  
 export@nofer.com · www.nofer.com

Related Products

