

Towel Ring

- Towel ring in chrome plated brass to fix to wall.
- Durability and resistance.
- Suitable for collectivities.
- Polish finish.



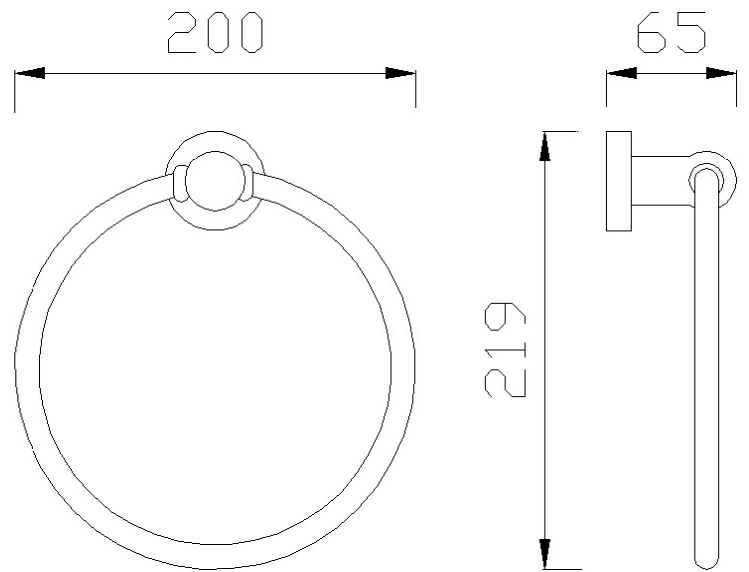
TECHNICAL DATA

- Made of chrome plated brass.
- Dimensions: 219 high x 200 wide x 65 deep mm. Wall support Ø 45 mm.
- Net weight: 0,35 Kg.
- Hidden anchor mechanism. Wall fixing materials included.

SUGGESTED TEXT FOR PRESCRIPTION

Towel ring NOFER or similar, in chrome plated brass. Polish finish. Dimensions: 219 high x 200 wide x 65 deep mm. Wall support Ø 45 mm.

TECHNICAL DRAWING



Dimensions in mm



NOFER S.L.
 Avenida de la fama, 118
 08940 · Cornellà de Llobregat (Barcelona)
 Tel +34 934 742 423 · Fax +34 934 743 548
 nofer@nofer.com · www.nofer.com

Related Products

