

Angled support handle with soap dish

- Angled support handle with grilled soap dish in chrome plated brass.
- Durability and resistance to corrosion.
- Suitable for collectivities.
- Polish finish.
- Also available without soap dish (NOFER 16354.B).



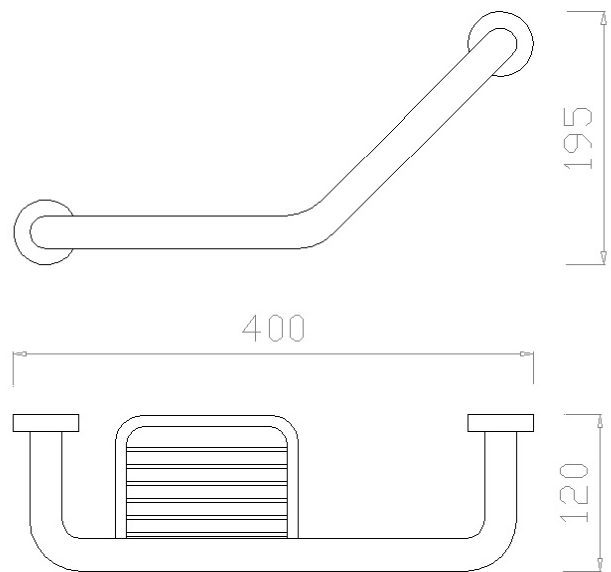
TECHNICAL DATA

- Made of chrome plated brass.
- Bar Ø 25 mm and 1 mm thick.
- Soap dish: brass rods Ø 2,25 mm.
- Dimensions: 195 high x 400 wide x 120 deep mm. Wall support Ø 45 mm.
- Net weight: 0,7 Kg.
- Hidden anchor mechanism. Wall fixing materials included.

SUGGESTED TEXT FOR PRESCRIPTION

Angled support handle with grilled soap dish NOFER or similar, in chrome plated brass. Polish finish. Dimensions: 195 high x 400 wide x 120 deep mm. Wall support Ø 45 mm. Bar Ø 25 mm and 1 mm thick.

TECHNICAL DRAWING



Dimensions in mm



NOFER S.L.
 Avenida de la fama, 118
 08940 · Cornellà de Llobregat (Barcelona)
 Tel +34 934 742 423 · Fax +34 934 743 548
 nofer@nofer.com · www.nofer.com

Related Products

