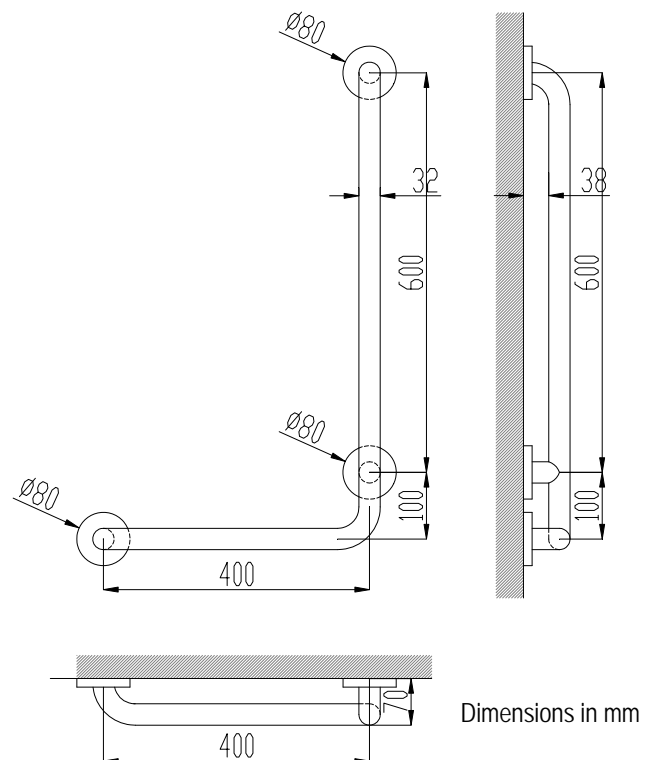


Fixed grab bar

- 90° angled grab bar to fix to wall.
- Three anchor points.
- Support suitable for bathrooms, wc-bidet, showers and bathtubs.
- Designed for adapted toilets for disabled.
- Polish finished stainless steel. Also available satin finished (NOFER 15159.S) and white Nylon finished (NOFER 15159.W).

TECHNICAL DATA

- Made of AISI 304 stainless steel.
- Dimensions: 700 x 400 mm, bar \varnothing 32 mm.
- Fixing materials included.
- Maintenance: stainless steel needs maintenance because dust can eventually damage the chromium (Cr) content in stainless steel. We recommend monthly cleaning with a stainless steel special cleaner.

TECHNICAL DRAWING


The picture corresponds to NOFER 15059.S

SUGGESTED TEXT FOR PRESCRIPTION

NOFER 90° angled grab bar made of polish finished AISI 304 stainless steel. Three anchor points. Dimensions: 700 x 400 mm, bar \varnothing 32 mm.



NOFER S.L.
 Avenida de la fama, 118
 08940 · Cornellà de Llobregat (Barcelona)
 Tel +34 934 742 423 · Fax +34 934 743 548
 export@nofer.com · www.nofer.com

Related Products
