

Folding grab bar

- Folding grab bar to fix to wall with roll holder.
- Includes a folding leg for a better support and vertical locking.
- Improved space utilization.
- Suitable for accesible toilets, wc, showers and baths.
- Stainless steel white Nylon finish. Also available in satin finish (NOFER 15062.S) and polish finish (NOFER 15062.B).



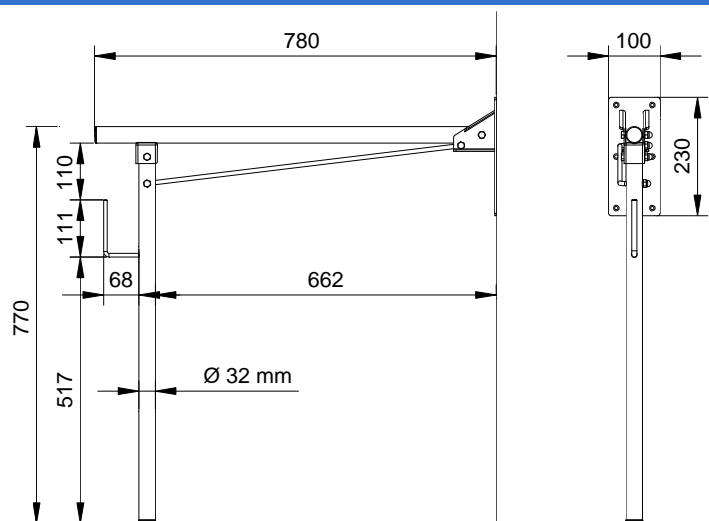
Picture belongs to NOFER 15062.B

TECHNICAL DATA

- Made of AISI 304 stainless steel.
- Bars: 1,5 mm thick, , Ø 32 mm.
- Dimensions: 780 mm long, 770 mm high.
- Maintenance: stainless steel needs maintenance because dust can eventually damage the chrome in stainless steel. We recommend monthly cleaning with our special product.
- Includes mounting components.

SUGGESTED TEXT FOR PRESCRIPTION

Folding grab bar NOFER or similar, in AISI 304 stainless steel. With folding leg and roll holder. Dimensions: 780 mm long, 770 mm high. 1,5 mm thick, , Ø 32 mm.

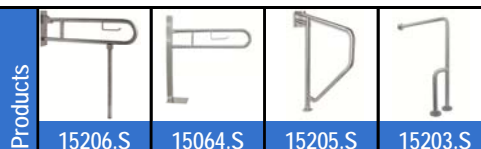
TECHNICAL DRAWING


Dimensions in mm



NOFER S.L.
 Avenida de la fama, 118
 08940 · Cornellà de Llobregat (Barcelona)
 Tel +34 934 742 423 · Fax +34 934 743 548
 nofer@nofer.com · www.nofer.com

Related



15206.S

15064.S

15205.S

15203.S