

**Built-in bedpan washer with a self-closing mixer tap**


- Built-in bedpan washer with semi-deep-drawn washing tray, door and frame made of stainless steel.
- Without dirt-collecting corners in order to an easy clean.
- Two internal sprinklers for high pressure water washing to ensure the bedpan cleaning.
- Equipped with a front panel with a self-closing mixer tap. Tap included.
- Bedpan washing with pressured water.

**TECHNICAL DATA**

- Made of AISI 304 stainless steel. Plate thickness: 1,2 mm.
- Two washer sprinklers included.
- Bedpan support made of 5 mm stainless steel rod.
- Two water self-closing mixer tap in chrome plated brass. Temporization: 15 ±5 seconds.
- Water temperature range: 5 - 65 °C.
- Mixer tap flow rate: 6 l/min (at 3 bar).
- Working pressure: 3 bar.
- Water outlet diameter: Ø 73 mm.
- Dimensions: 750 high x 450 wide x 260 deep mm.
- Maintenance: stainless steel needs maintenance because dust can eventually damage the chrome in stainless steel. We recommend monthly cleaning with our special product.
- It is recommended an internal diary cleaning in order to avoid corrosion caused by urea decomposition. A cotton cloth slightly dampened in a neutral soapy solutions is recommended. Then dry off.

**SUGGESTED TEXT FOR PRESCRIPTION**

NOFER or similar, built-in bedpan washer with washing tray, frame and door made of AISI 304 stainless steel. Equipped with a self-closing mixer tap and two sprinklers. Dimensions: 750 high x 450 wide x 260 deep mm.



NOFER S.L.  
 Avenida de la fama, 118  
 08940 · Cornellà de Llobregat (Barcelona)  
 Tel +34 934 742 423 · Fax +34 934 743 548  
 export@nofer.com · www.nofer.com

Related Products



15010.SM

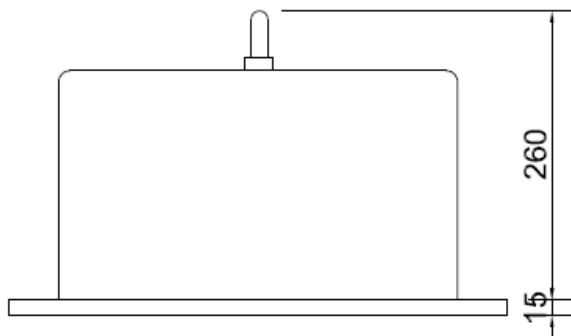
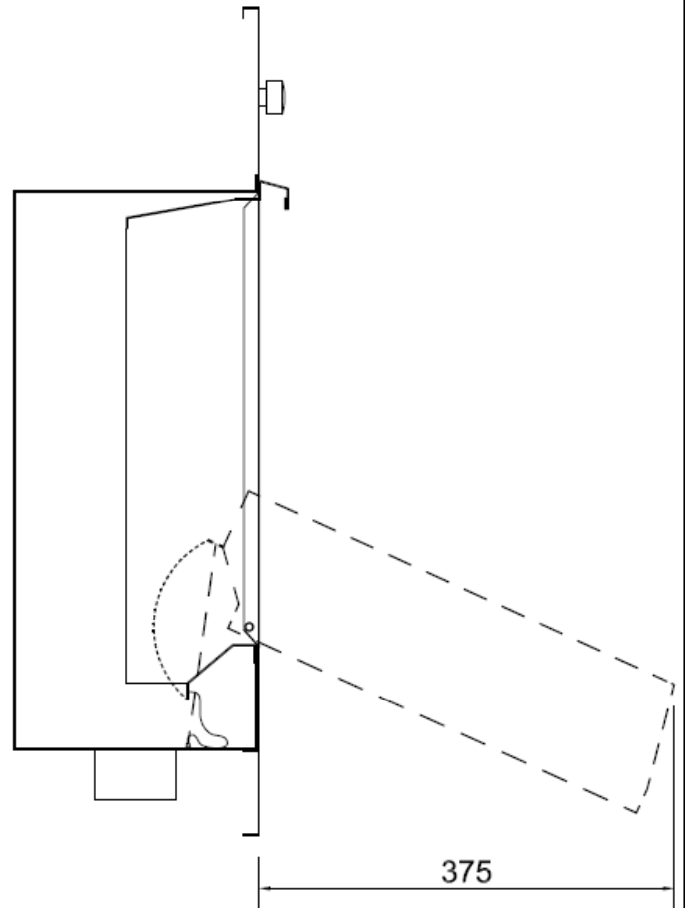
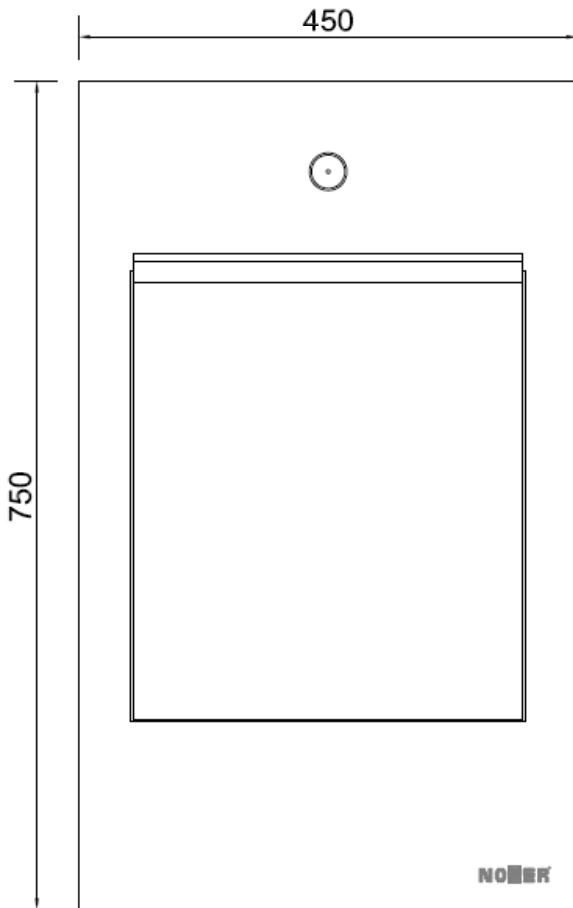


15010.ST



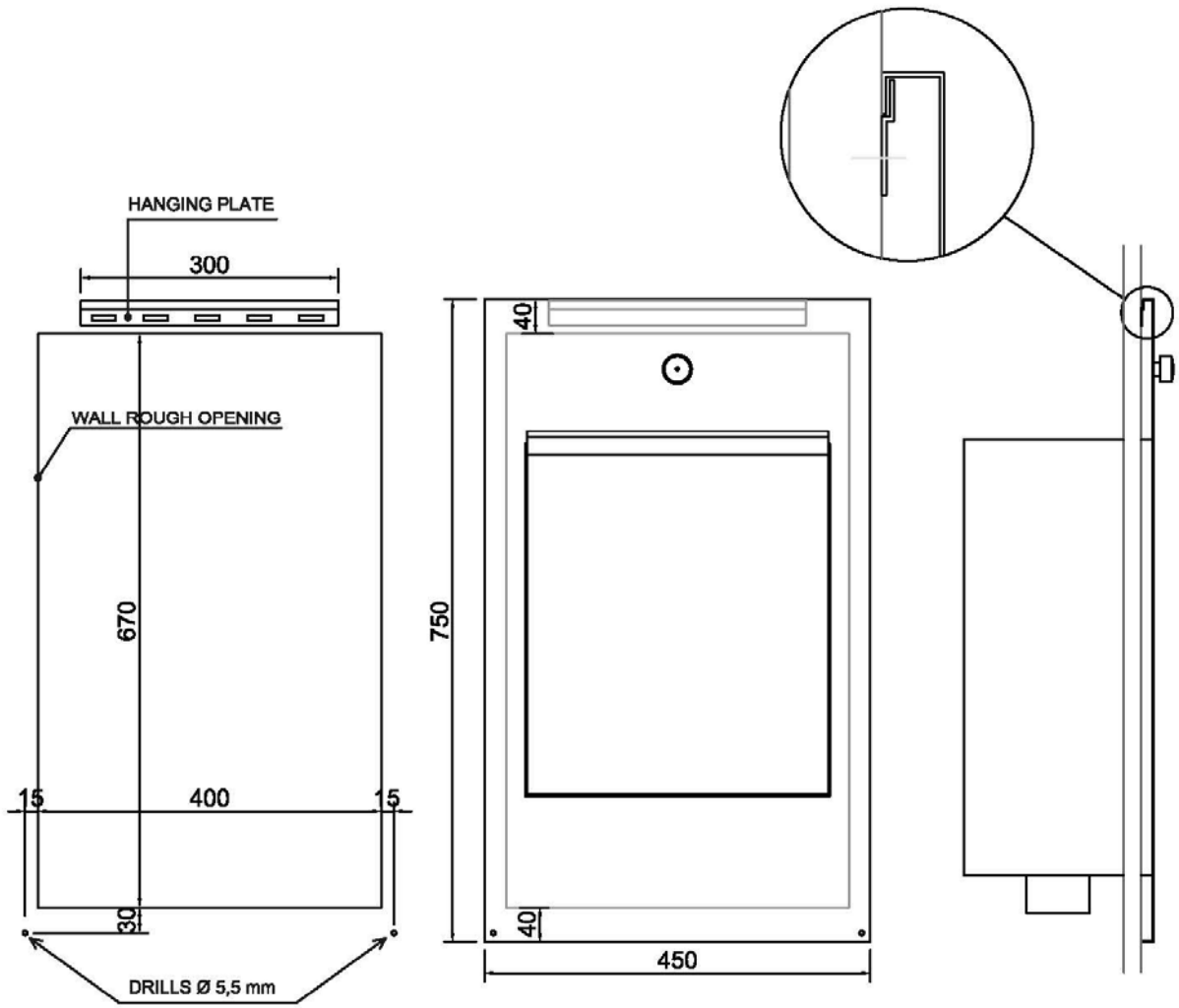
15010.SG

TECHNICAL DRAWING

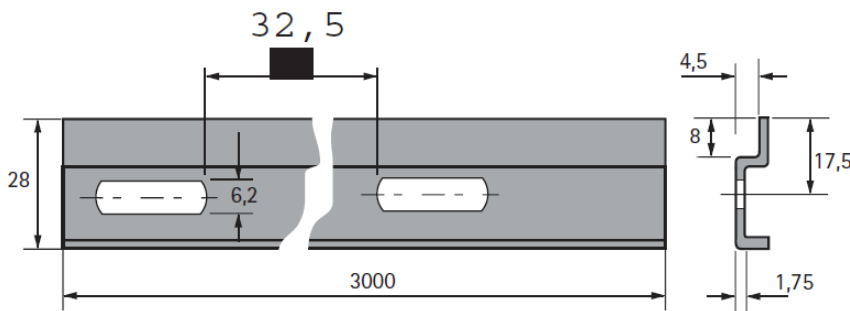


Dimensions in mm

INSTALLATION



**IMPORTANT: FOR PLASTERBOARD WALL OR LIGHTWEIGHT PARTITIONS INSTALLATION, REMEMBER TO DO THE BACK REINFORCEMENTS SUGGESTED FROM THE MANUFACTURER.**



Dimensions in mm

BEDPAN WASHER HANGING DETAIL



NOFER S.L.  
 Avenida de la fama, 118  
 08940 - Cornellà de Llobregat (Barcelona)  
 Tel +34 934 742 423 - Fax +34 934 743 548  
 export@nofer.com - www.nofer.com