

Built-in bedpan washer with a turn tap



- Built-in bedpan washer with semi-deep-drawn washing tray, door and frame made of stainless steel.
- Cold and hot water bedpan sprinkler washing system.
- Without dirt-collecting corners in order to an easy clean.
- Two internal sprinklers for high pressure water washing to ensure the bedpan cleaning.
- Equipped with a front panel with a tap.
- Turn tap included.

TECHNICAL DATA

- Made of AISI 304 stainless steel. Plate thickness: 1,2 mm.
- Two washer sprinklers included.
- Bedpan support made of 5 mm stainless steel rod.
- Water temperature range: 5 - 65 °C.
- Working pressure: 3 bar.
- Water outlet diameter: Ø 73 mm.
- Dimensions: 750 high x 450 wide x 260 deep mm.
- Maintenance: stainless steel needs maintenance because dust can eventually damage the chrome in stainless steel. We recommend monthly cleaning with our special product.
- It is recommended an internal diary cleaning in order to avoid corrosion caused by urea decomposition. A cotton cloth slightly dampened in a neutral soapy solutions is recommended. Then dry off.

SUGGESTED TEXT FOR PRESCRIPTION

NOFER or similar, built-in bedpan washer with washing tray, frame and door made of AISI 304 stainless steel. Equipped with a turn tap and two sprinklers. Dimensions: 750 high x 450 wide x 260 deep mm.



NOFER S.L.
 Avenida de la fama, 118
 08940 · Cornellà de Llobregat (Barcelona)
 Tel +34 934 742 423 · Fax +34 934 743 548
 export@nofer.com · www.nofer.com

Related Products



15010.ST

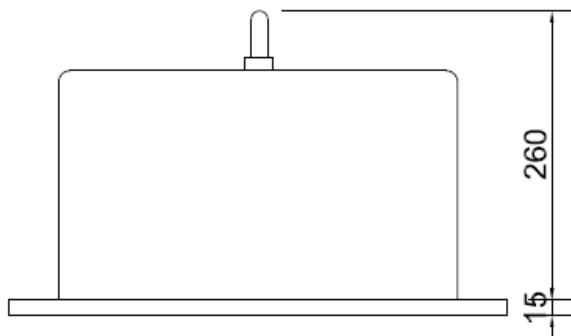
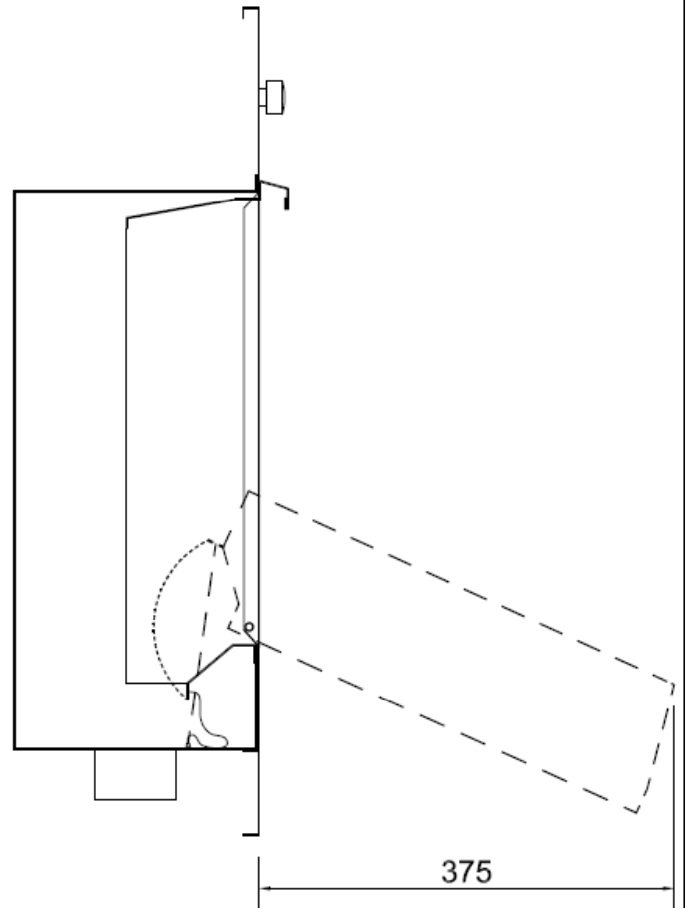
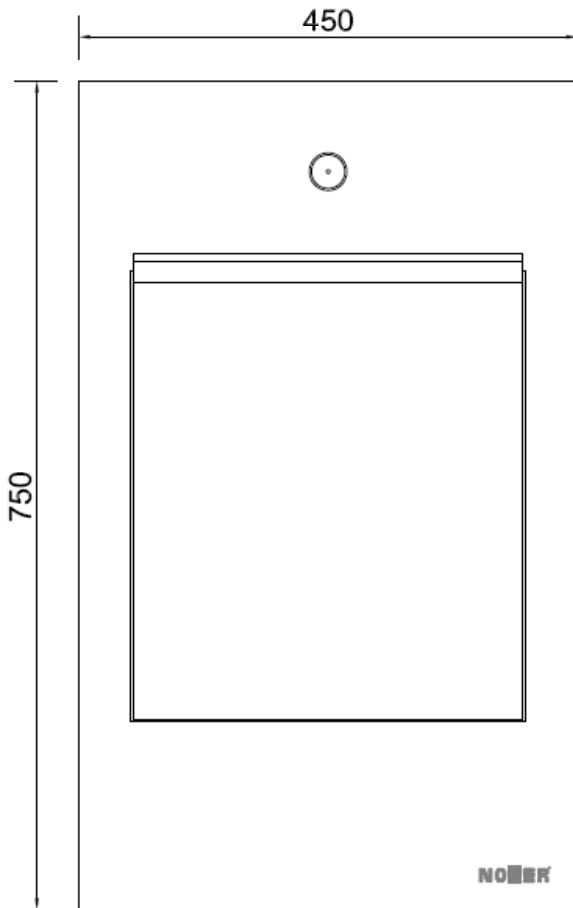


15010.STM



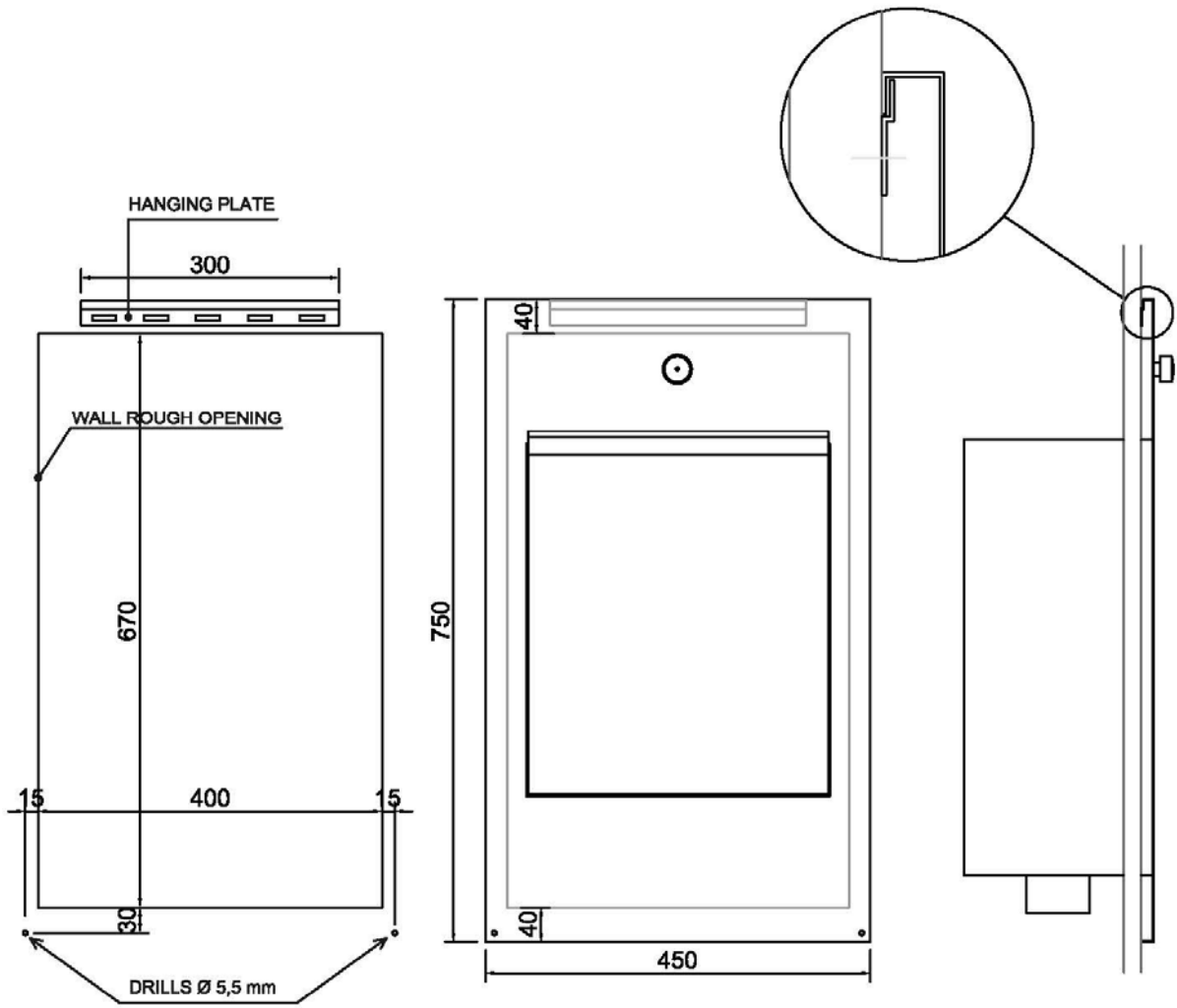
15010.SM

TECHNICAL DRAWING

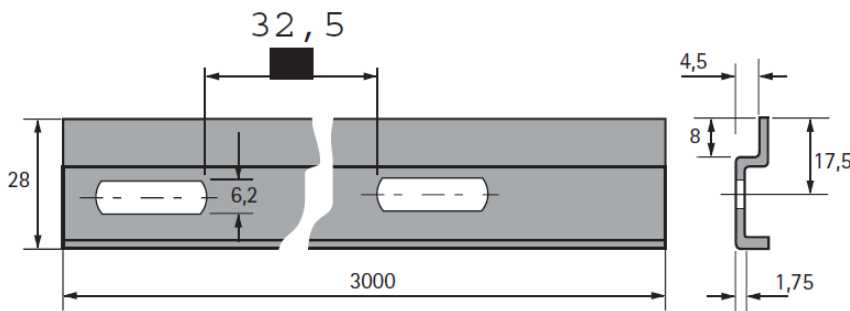


Dimensions in mm

INSTALLATION



IMPORTANT: FOR PLASTERBOARD WALL OR LIGHTWEIGHT PARTITIONS INSTALLATION, REMEMBER TO DO THE BACK REINFORCEMENTS SUGGESTED FROM THE MANUFACTURER.



Dimensions in mm

BEDPAN WASHER HANGING DETAIL



NOFER S.L.
 Avenida de la fama, 118
 08940 - Cornellà de Llobregat (Barcelona)
 Tel +34 934 742 423 - Fax +34 934 743 548
 export@nofer.com - www.nofer.com