

Collective wash basin

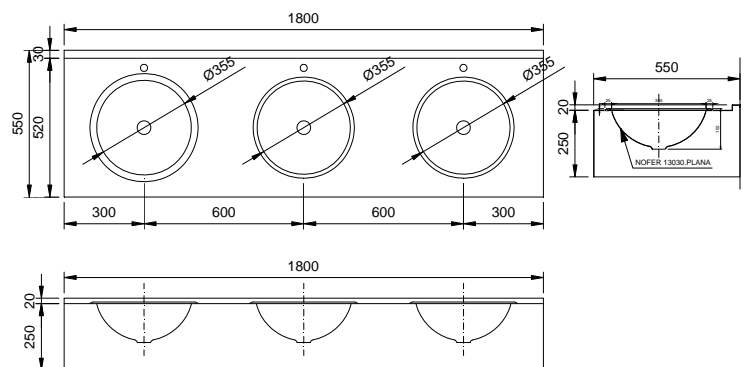
- Collective stainless steel wash basin.
- Three overlaid basins and 250 mm drop front.
- Durability and resistance against rust.
- Suitable for three users.
- Optionally delivered with soap dispenser holes.
- Satin finished stainless steel.


TECHNICAL DATA

- Made in AISI 304 stainless steel.
- Dimensions: 1800 mm width x 550 mm depth.
- 250 mm drop front, tap hole and brackets included.
- Maintenance: AISI 304 stainless steel needs maintenance because dirt can eventually damage the chrome in stainless steel. We recommend monthly cleaning with our special product.

SUGGESTED TEXT FOR PRESCRIPTION

NOFER or similar, collective wash basin made in AISI 304 stainless steel, with three overlaid basins. Dimensions: 1800 mm width x 550 mm depth. 250 mm drop front, tap hole and brackets included.

TECHNICAL DRAWING


NOFER S.L.
 Avenida de la fama, 118
 08940 · Cornellà de Llobregat (Barcelona)
 Tel +34 934 742 423 · Fax +34 934 743 548
 export@nofer.com · www.nofer.com

Related Products

13050.12.S

13070.2.S

13071.2.S

13072.2.S

13081.2.S

13080.3.S