

**Collective wash basin**

- Collective stainless steel wash basin.
- Two overlaid basins and 250 mm drop front.
- Durability and resistance against rust.
- Suitable for two users.
- Optionally delivered with soap dispenser holes.
- Satin finished stainless steel.

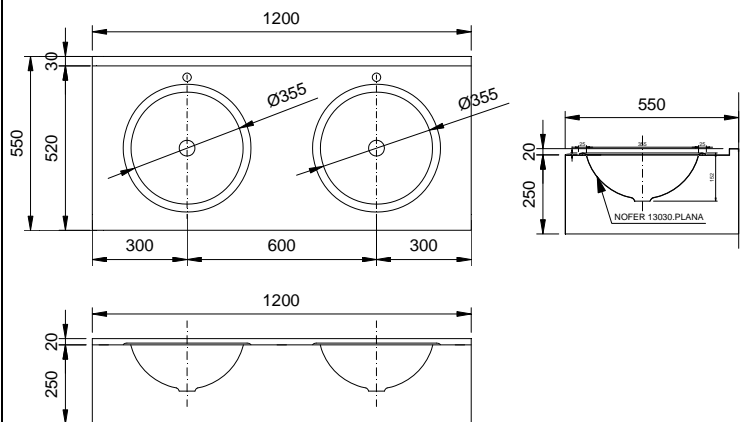

**TECHNICAL DATA**

- Made in AISI 304 stainless steel.
- Dimensions: 1200 mm width x 550 depth.
- 250 mm drop front, tap holes and brackets included.
- Maintenance: AISI 304 stainless steel needs maintenance because dirt can eventually damage the chrome in stainless steel. We recommend monthly cleaning with our special product.

The picture belongs to NOFER 13081.3.S

**SUGGESTED TEXT FOR PRESCRIPTION**

NOFER or similar, collective wash basin made in AISI 304 stainless steel, with one overlaid basin. Dimensions: 1200 mm width x 550 mm depth. 250 mm drop front, tap holes and brackets included.

**TECHNICAL DRAWING**


NOFER S.L.  
 Avenida de la fama, 118  
 08940 · Cornellà de Llobregat (Barcelona)  
 Tel +34 934 742 423 · Fax +34 934 743 548  
 export@nofer.com · www.nofer.com

**Related Products**

**13050.12.S**

**13070.2.S**

**13071.2.S**

**13072.2.S**

**13081.2.S**

**13080.2.S**