

Collective wash basin

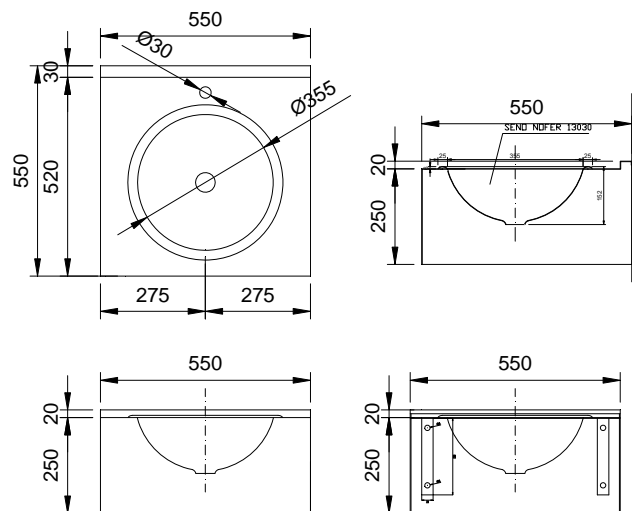
- Collective stainless steel wash basin.
- One overlaid bowl and 250 mm drop front.
- Durability and resistance against rust.
- Suitable for one user.
- Optionally delivered with soap dispenser hole.
- Satin finished stainless steel.


TECHNICAL DATA

- Made in AISI 304 stainless steel.
- Dimensions: 550 wide x 550 deep mm.
- 250 mm drop front, tap hole and brackets included.
- Maintenance: AISI 304 stainless steel needs maintenance because dirt can eventually damage the chrome in stainless steel. We recommend monthly cleaning with our special product.

SUGGESTED TEXT FOR PRESCRIPTION

NOFER or similar, collective wash basin made in AISI 304 stainless steel, with one overlaid bowl. Dimensions: 550 wide x 550 deep mm. 250 mm drop front, tap hole and brackets included.

TECHNICAL DRAWING


Dimensions in mm



NOFER S.L.
 Avenida de la fama, 118
 08940 · Cornellà de Llobregat (Barcelona)
 Tel +34 934 742 423 · Fax +34 934 743 548
 export@nofer.com · www.nofer.com

Related Products


13050.12.S



13070.2.S



13071.2.S



13070.1.S



13081.2.S



13080.3.S