

Antivandalic nonslip shower tray

- Horizontal outlet shower tray with central valve.
- Vandal proof, fully welded construction without cutting edges.
- Texturized nonslip base.
- Suitable for continuous use and environments with a high security demand.
- Durability and resistance against rust.
- Easy to clean.



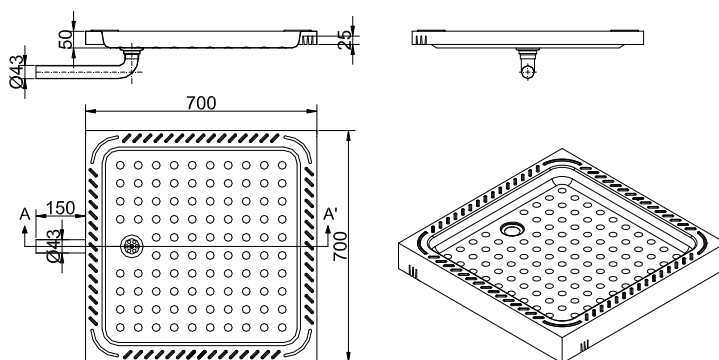
TECHNICAL DATA

- Made in satin finished AISI 304 stainless steel.
- Dimensions: 700 mm width x 700 depth x 50 mm high.
- Horizontal outlet with central valve and Ø 43 mm pipe.

SUGGESTED TEXT FOR PRESCRIPTION

NOFER or similar, satin finished AISI 304 stainless steel nonslip shower tray with central valve. Dimensions: 700 mm width x 700 depth x 50 mm high.

TECHNICAL DRAWING



NOFER S.L.
 Avenida de la fama, 118
 08940 · Cornellà de Llobregat (Barcelona)
 Tel +34 934 742 423 · Fax +34 934 743 548
 export@nofer.com · www.nofer.com

Related Products

