

Wash basin to built in

- Vandal proof stainless steel wash basin to built in.
- Durability and resistance against rust and corrosion.
- Satin finished stainless steel.
- Equipped with water outlet valve, push button, temporized tap and spout.
- Fixed through galvanized bolts.



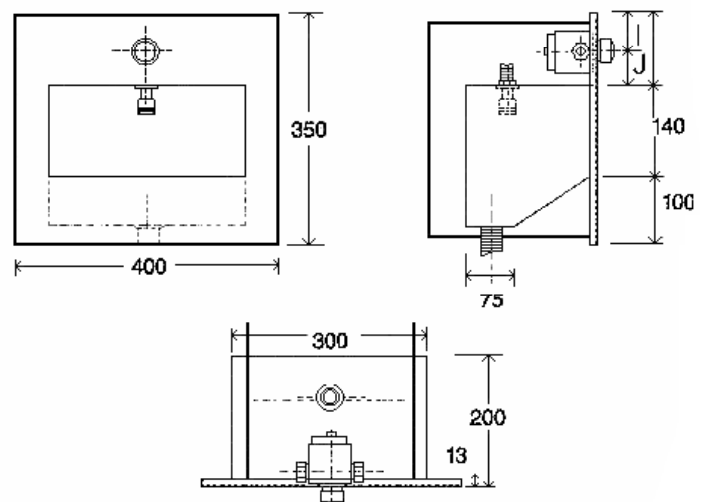
TECHNICAL DATA

- Made of AISI 304 stainless steel.
- Dimensions: 350 high x 400 wide x 200 deep mm.
- Water outlet Ø 32 mm.
- Maintenance: Stainless steel needs maintenance because dust can eventually damage the chrome in stainless steel. We recommend monthly cleaning with our special product.

SUGGESTED TEXT FOR PRESCRIPTION

NOFER or similar, vandalproof wash basin to built in, made in AISI 304 stainless steel. Satin finish. Equipped with water outlet valve, push button temporized tap and spout. Dimensions: 350 high x 400 wide x 200 deep mm.

TECHNICAL DRAWING



Dimensions in mm



NOFER S.L.  
 Avenida de la fama, 118  
 08940 · Cornellà de Llobregat (Barcelona)  
 Tel +34 934 742 423 · Fax +34 934 743 548  
 export@nofer.com · www.nofer.com

Related Products

