

Closed wash basin with wash spout and push button



- Wall mounted wash basin in AISI 304 stainless steel.
- Satin finished.
- With wash spout, water tap and push button (delivered unassembled).
- Durability and resistance against rust and corrosion.
- Suitable for continuous use and public spaces.
- Sturdy and vandal proof.

TECHNICAL DATA

- Made in satin finished AISI 304 stainless steel.
- Dimensions: 400 high x 362 width x 470 depth (mm). Bowl Ø 300 mm.
- Includes drainage valve and low top which hides the waste pipe system.
- Equipped with spout and water tap with push button (delivered unassembled).
- Maintenance: stainless steel needs maintenance because dust can eventually damage the Chrome (Cr) contained in stainless steel. We recommend monthly cleaning with an specific product for stainless steel.

SUGGESTED TEXT FOR PRESCRIPTION

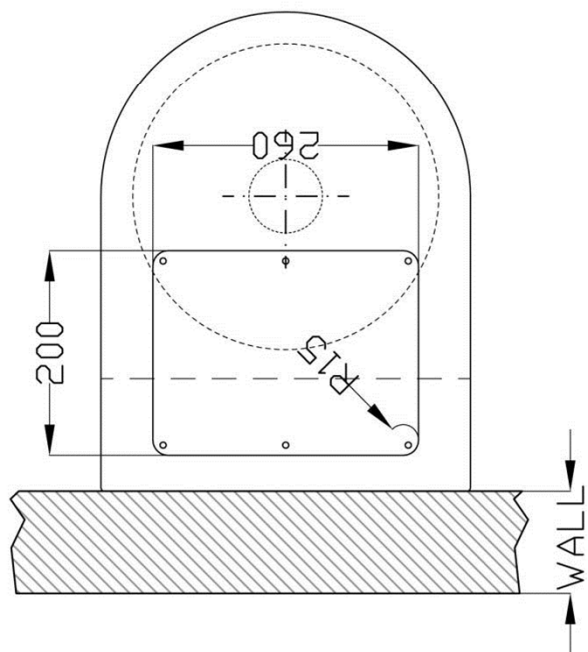
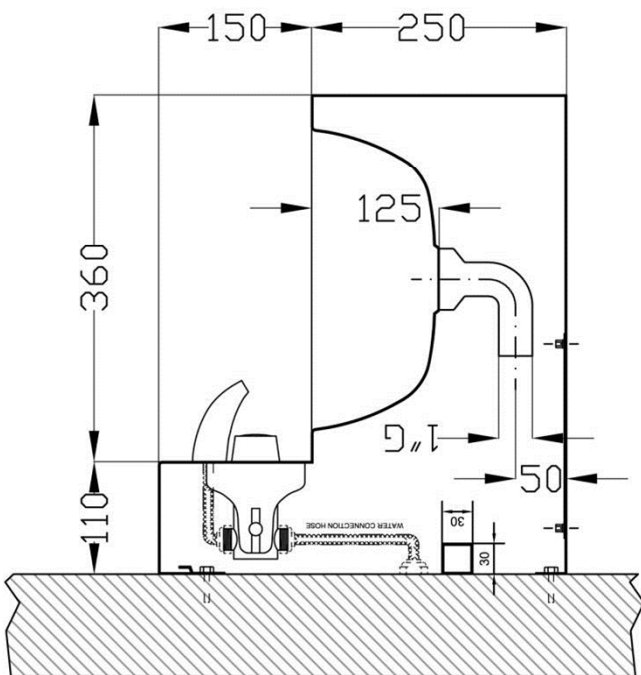
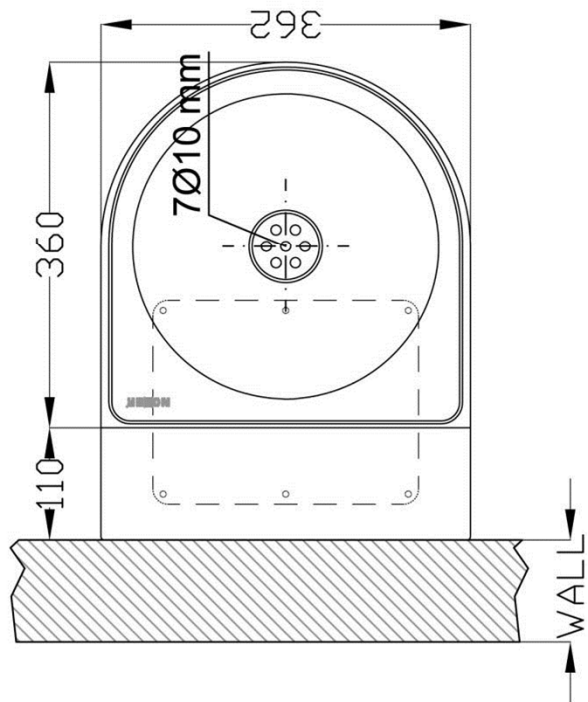
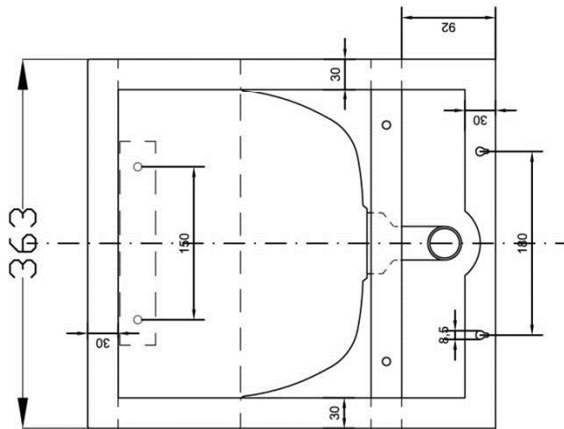
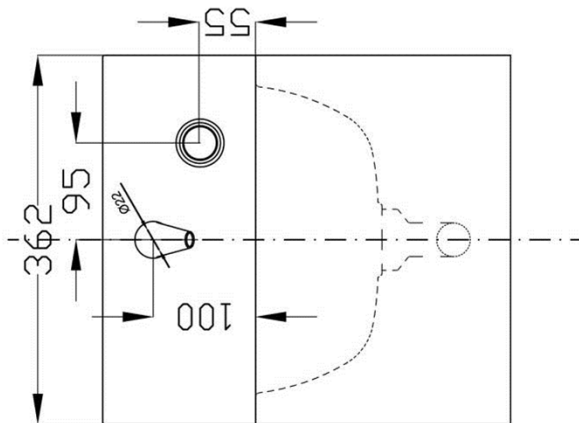
NOFER or similar, satin finished AISI 304 stainless steel vandal proof wash basin. Dimensions: 400 high x 362 width x 470 depth (mm). Bowl Ø 300 mm.



NOFER S.L.
 Avenida de la fama, 118
 08940 · Cornellà de Llobregat (Barcelona)
 Tel +34 934 742 423 · Fax +34 934 743 548
 export@nofer.com · www.nofer.com

TECHNICAL DRAWING

Dimensions in mm



NOFER S.L.
 Avenida de la fama, 118
 08940 - Cornellà de Llobregat (Barcelona)
 Tel +34 934 742 423 - Fax +34 934 743 548
 export@nofer.com - www.nofer.com