

Antivandalic closed wash basin

- Closed wash basin to build in through wall.
- Durability and resistance against rust.
- Anti vandal, totally welded and without edges.
- Suitable for continuous use and environments with a high security demand.



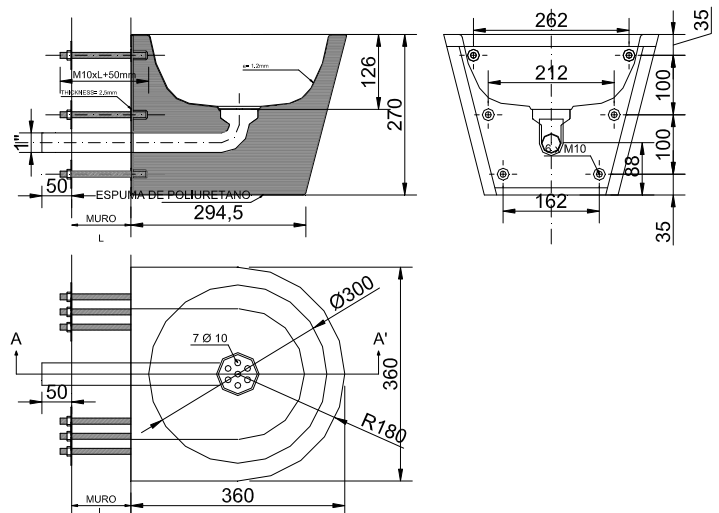
TECHNICAL DATA

- Made in satin finished AISI 304 stainless steel.
- Dimensions: 270 mm high x 360 mm width x 360 mm depth. Bowl Ø 300 mm.
- Delivered with internal expanded polyurethane foam avoiding possibility to make noise and making the unit stronger.
- Includes low top which hides the waste pipe system.
- Maintenance: stainless steel needs maintenance because dust can eventually damage the chrome in stainless steel. We recommend monthly cleaning with our special product.

SUGGESTED TEXT FOR PRESCRIPTION

NOFER or similar, satin finished AISI 304 stainless steel wash basin. Dimensions: 270 mm high x 360 mm width x 360 mm depth. Bowl Ø 300 mm and outlet 1" G male thread.

TECHNICAL DRAWING



NOFER S.L.
 Avenida de la fama, 118
 08940 - Cornellà de Llobregat (Barcelona)
 Tel +34 934 742 423 - Fax +34 934 743 548
 export@nofer.com - www.nofer.com

Related Products

