

Closed wash basin

- Wall mounted wash basin in AISI 304 stainless steel.
- Satin finished.
- Durability and resistance against rust and corrosion.
- Suitable for continuous use and public spaces.
- Vandal proof.



TECHNICAL DATA

- Made in satin finished AISI 304 stainless steel (plate 1,2 mm thick).
- Dimensions: 270 high x 360 wide x 360 deep mm. Bowl Ø 300 mm.
- Includes drainage valve and low top which hides the waste pipe system.
- Maintenance: stainless steel needs maintenance because dust can eventually damage the chrome in stainless steel. We recommend monthly cleaning with an specific product for stainless steel.
- Installation: hang the wash basin on the wall by the two upper fixation points. Use the inspection cover at the lower face of the wash basin to do the water outlet connection. Fix the third fixation point and close the inspection cover.

SUGGESTED TEXT FOR PRESCRIPTION

NOFER or similar, satin finished AISI 304 stainless steel vandal proof wash basin. Dimensions: 270 high x 360 wide x 360 deep mm. Bowl Ø 300 mm.

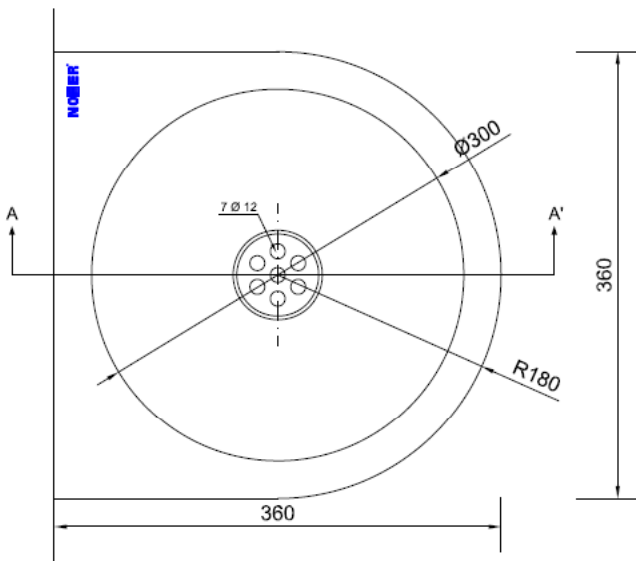
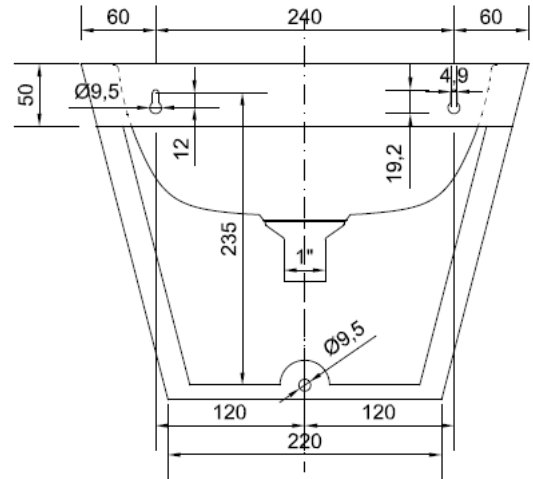
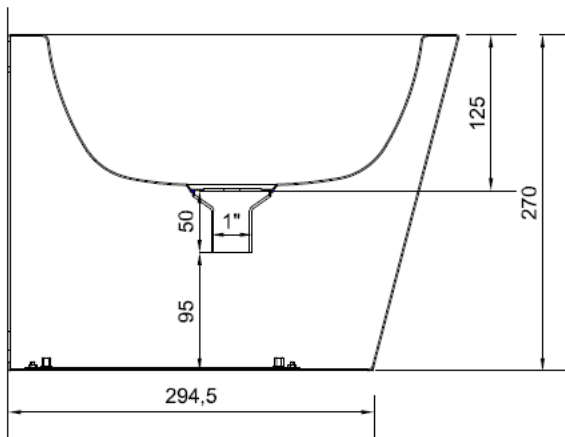


NOFER S.L.
 Avenida de la fama, 118
 08940 · Cornellà de Llobregat (Barcelona)
 Tel +34 934 742 423 · Fax +34 934 743 548
 export@nofer.com · www.nofer.com

Related Products



TECHNICAL DRAWING



Dimensions in mm



NOFER S.L.
 Avenida de la fama, 118
 08940 - Cornellà de Llobregat (Barcelona)
 Tel +34 934 742 423 - Fax +34 934 743 548
 export@nofer.com - www.nofer.com