

Closed wash basin



- Wall mounted wash basin in AISI 304 stainless steel with rounded corner.
- To fix to wall corner.
- Durability and resistance against rust.
- Suitable for continuous use and public spaces.
- Antivandalic.

TECHNICAL DATA

- Made of satin finished AISI 304 stainless steel.
- Dimensions: 270 high x 360 wide x 360 deep mm. Bowl Ø 300 mm.
- Drainage valve included.
- Tap hole and soap dispenser hole not included.
- Includes low top which hides the waste pipe system.
- Maintenance: stainless steel needs maintenance because dust can eventually damage the chrome in stainless steel. We recommend monthly cleaning with our special product.

SUGGESTED TEXT FOR PRESCRIPTION

Rounded corner closed wash basin NOFER or similar, in AISI 304 stainless steel, satin finish. Antivandalic. Dimensions: 270 high x 360 wide x 360 deep mm. Bowl Ø 300 mm.



NOFER S.L.  
 Avenida de la fama, 118  
 08940 · Cornellà de Llobregat (Barcelona)  
 Tel +34 934 742 423 · Fax +34 934 743 548  
 export@nofer.com · www.nofer.com

Related Products



13036.C.S



13036.AL.R.S



13041.B



13044

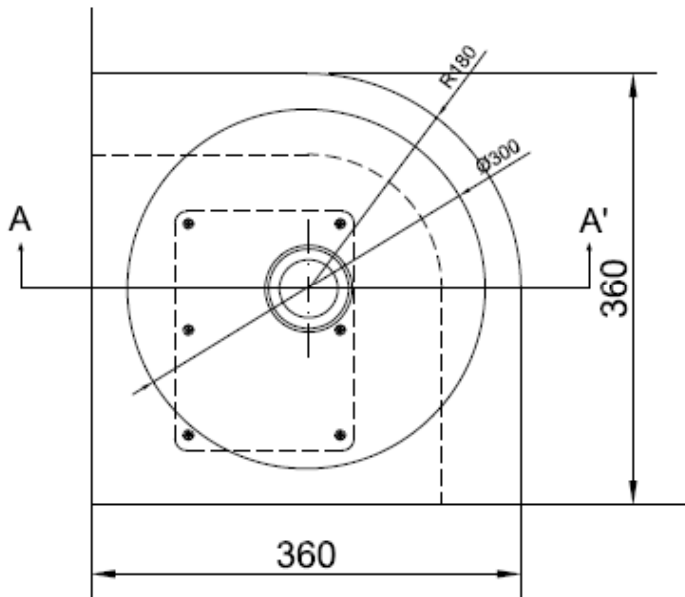
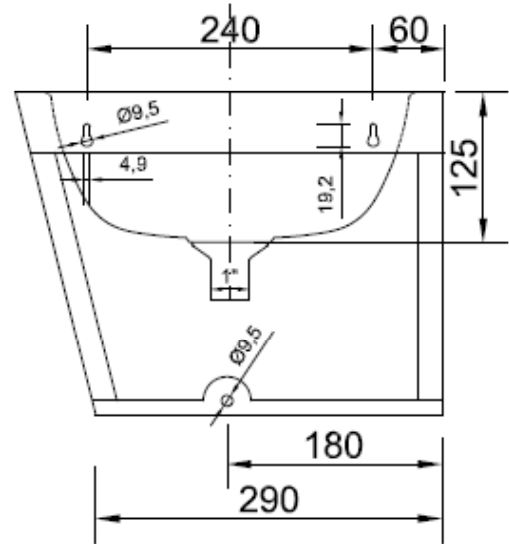
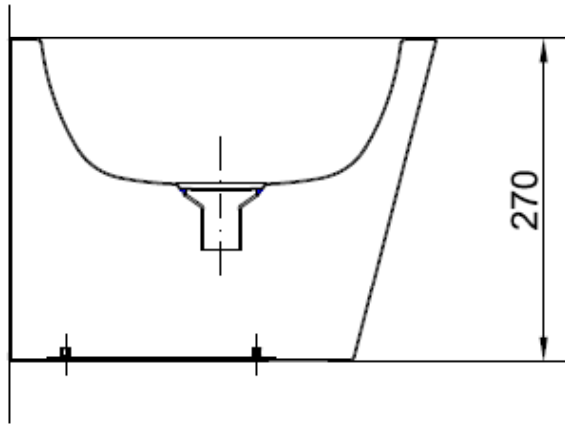


13048.S



13097.B

TECHNICAL DRAWING



Dimensions in mm



NOFER S.L.  
 Avenida de la fama, 118  
 08940 - Cornellà de Llobregat (Barcelona)  
 Tel +34 934 742 423 · Fax +34 934 743 548  
 export@nofer.com · www.nofer.com