

Wash basin

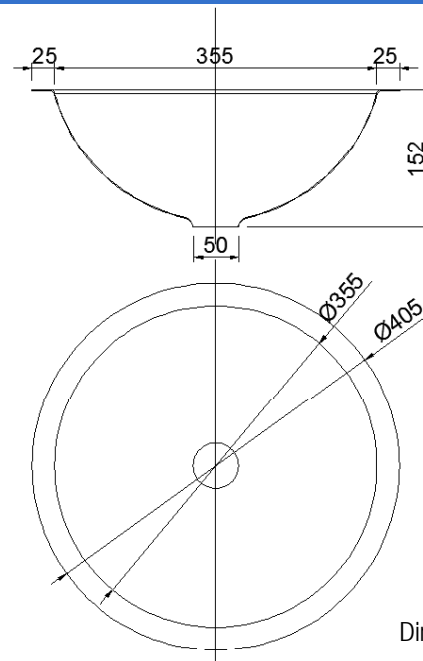

- Wash basin in AISI 304 stainless steel.
- Satin finish. Also available in polish finish (NOFER 13030.B.PLANA).
- To install under the countertop, or to weld to a stainless steel countertop.
- Without overflow hole.
- Drainage valve, grating and overflow trap are optional.

TECHNICAL DATA

- Made of AISI 304 stainless steel.
- Dimensions: Ø int. 355 mm, Ø ext. 405 mm, 152 mm high.
- Maintenance: stainless steel needs maintenance because dust can eventually damage the chrome in AISI 304 stainless steel. We recommend monthly cleaning with our special product.

SUGGESTED TEXT FOR PRESCRIPTION

NOFER or similar wash basin, in AISI 304 stainless steel, satin finished. To install under the countertop, or to weld to it.
Dimensions: Ø int. 355 mm, Ø ext. 405 mm, 152 mm high.

TECHNICAL DRAWING


Dimensions in mm



NOFER S.L.
Avenida de la fama, 118
08940 · Cornellà de Llobregat (Barcelona)
Tel +34 934 742 423 · Fax +34 934 743 548
export@nofer.com · www.nofer.com

Related Products



13037.B

13036.A.S

13039.A.S

13033.S

13048.S

13097.B