

Wash basin for recessing into worktop

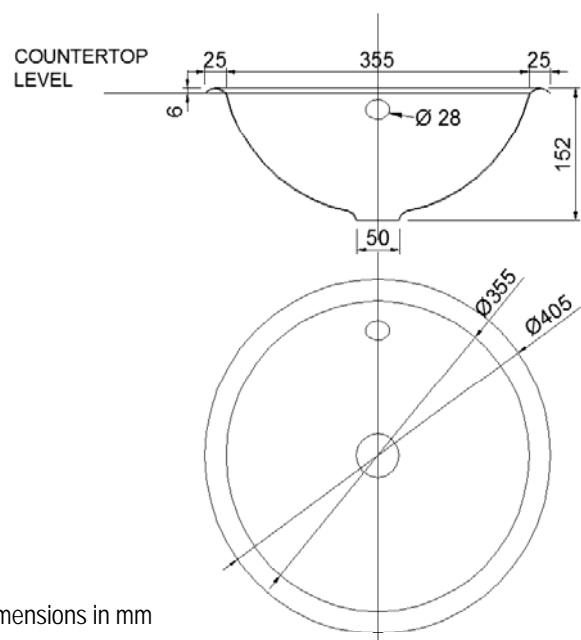

- Wash basin in AISI 304 stainless steel.
- Polish finish. Also available in satin finish (NOFER 13030.RS).
- For recessing into worktop.
- With overflow hole Ø 28 mm.
- Drainage valve, grating and overflow trap are optional.

TECHNICAL DATA

- Made of AISI 304 stainless steel.
- Dimensions: Ø int. 355 mm, Ø ext. 405 mm, 152 mm high.
- Maintenance: stainless steel needs maintenance because dust can eventually damage the chrome in AISI 304 stainless steel. We recommend monthly cleaning with our special product.

SUGGESTED TEXT FOR PRESCRIPTION

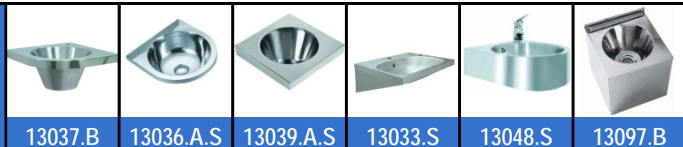
NOFER or similar wash basin, in AISI 304 stainless steel, polish finished. For recessing into worktop, with overflow hole.
 Dimensions: Ø int. 355 mm, Ø ext. 405 mm, 152 mm high.

TECHNICAL DRAWING


Dimensions in mm



NOFER S.L.
 Avenida de la fama, 118
 08940 · Cornellà de Llobregat (Barcelona)
 Tel +34 934 742 423 · Fax +34 934 743 548
 export@nofer.com · www.nofer.com

Related Products


13037.B

13036.A.S

13039.A.S

13033.S

13048.S

13097.B