

Wash basin

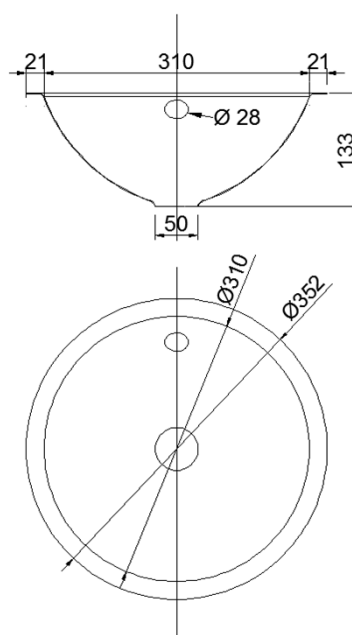
- Wash basin in AISI 304 stainless steel.
- Satin finish. Also available in polish finish (NOFER 13029.RB.PLANA).
- To install under the countertop, or to weld to a stainless steel countertop.
- With overflow hole.
- Drainage valve and overflow trap are optional.


TECHNICAL DATA

- Made of AISI 304 stainless steel.
- Dimensions: Ø int. 310 mm, Ø ext. 352 mm, 133 mm height.
- Maintenance: stainless steel needs maintenance because dust can eventually damage the chrome in AISI 304 stainless steel. We recommend monthly cleaning with our special product.

SUGGESTED TEXT FOR PRESCRIPTION

NOFER or similar wash basin, in AISI 304 stainless steel, satin finished. To install under the countertop, or to weld. Dimensions: Ø int. 310 mm, Ø ext. 352 mm, 133 mm height.

TECHNICAL DRAWING


Dimensions in mm



NOFER S.L.
 Avenida de la fama, 118
 08940 · Cornellà de Llobregat (Barcelona)
 Tel +34 934 742 423 · Fax +34 934 743 548
 export@nofer.com · www.nofer.com

Related Products



13033.S

13036.A.S

13037.B

13038.B

13039.A.S

13097.B