

Wash basin for recessing into worktop

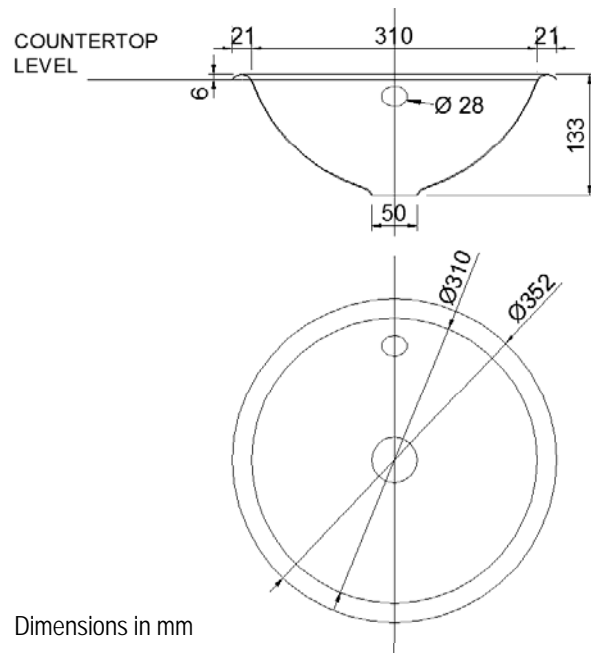

- Wash basin in AISI 304 stainless steel.
- Satin finish. Also available in polish finish (NOFER 13029.RB).
- For recessing into worktop.
- With overflow hole \varnothing 28 mm.
- Drainage valve, grating and overflow trap are optional.

TECHNICAL DATA

- Made of AISI 304 stainless steel.
- Dimensions: \varnothing int. 310 mm, \varnothing ext. 355 mm, 133 mm high.
- Maintenance: stainless steel needs maintenance because dust can eventually damage the chrome in AISI 304 stainless steel. We recommend monthly cleaning with our special product.

SUGGESTED TEXT FOR PRESCRIPTION

NOFER or similar wash basin, in AISI 304 stainless steel, satin finished. For recessing into worktop, with overflow hole.
Dimensions: \varnothing int. 310 mm, \varnothing ext. 355 mm, 133 mm high.

TECHNICAL DRAWING


NOFER S.L.
Avenida de la fama, 118
08940 · Cornellà de Llobregat (Barcelona)
Tel +34 934 742 423 · Fax +34 934 743 548
export@nofer.com · www.nofer.com

Related Products
