

Wash basin for recessing into worktop

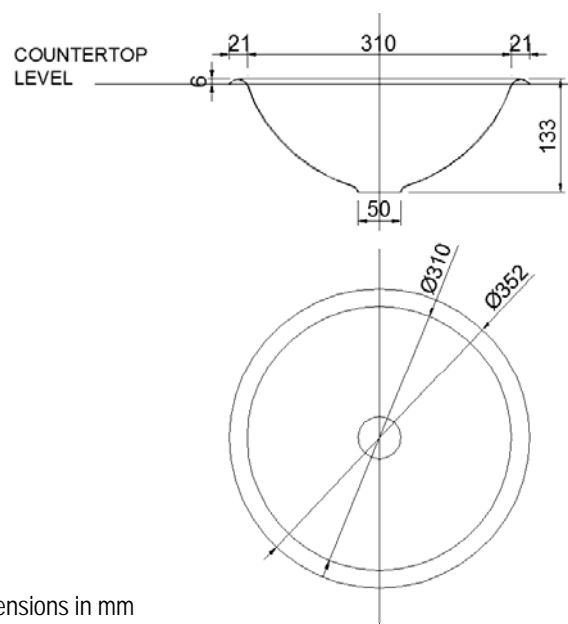

- Wash basin in AISI 304 stainless steel.
- Polish finish. Also available in satin finish (NOFER 13029.S).
- For recessing into worktop.
- Without overflow hole.
- Drainage valve, grating and overflow trap are optional.

TECHNICAL DATA

- Made of AISI 304 stainless steel.
- Dimensions: Ø int. 310 mm, Ø ext. 355 mm, 133 mm high.
- Maintenance: stainless steel needs maintenance because dust can eventually damage the chrome in AISI 304 stainless steel. We recommend monthly cleaning with our special product.

SUGGESTED TEXT FOR PRESCRIPTION

NOFER or similar wash basin, in AISI 304 stainless steel, polish finished. For recessing into worktop, without overflow hole.
 Dimensions: Ø int. 310 mm, Ø ext. 355 mm, 133 mm high.

TECHNICAL DRAWING


Dimensions in mm



NOFER S.L.
 Avenida de la fama, 118
 08940 · Cornellà de Llobregat (Barcelona)
 Tel +34 934 742 423 · Fax +34 934 743 548
 export@nofer.com · www.nofer.com

Related Products

