

Wash basin for recessing into worktop

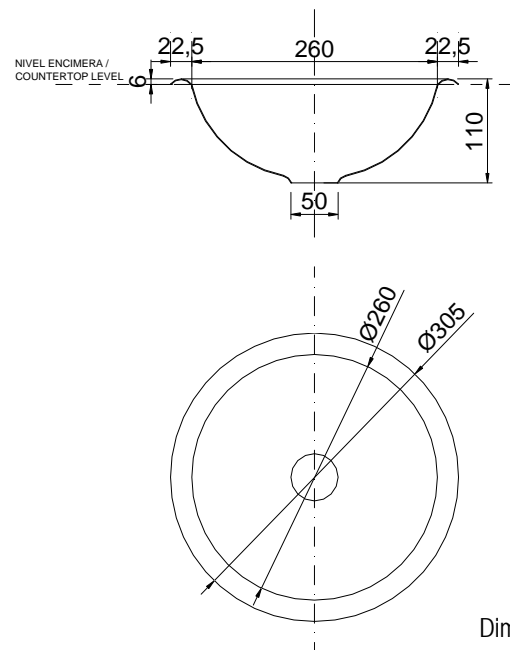

- Wash basin in AISI 304 stainless steel.
- Satin finish. Also available in polish finish (NOFER 13028.B).
- For recessing into worktop.
- Without overflow hole.
- Drainage valve, grating and overflow trap are optional.

TECHNICAL DATA

- Made of AISI 304 stainless steel.
- Dimensions: Ø int. 260 mm, Ø ext. 305 mm, 110 mm high.
- Maintenance: stainless steel needs maintenance because dust can eventually damage the chrome in AISI 304 stainless steel. We recommend monthly cleaning with our special product.

SUGGESTED TEXT FOR PRESCRIPTION

NOFER or similar wash basin, in AISI 304 stainless steel, satin finished. For recessing into worktop. Dimensions: Ø int. 260 mm, Ø ext. 305 mm, 110 mm high

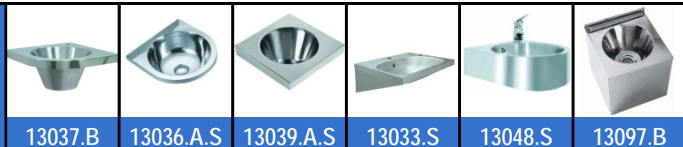
TECHNICAL DRAWING


Dimensions in mm



NOFER S.L.
 Avenida de la fama, 118
 08940 · Cornellà de Llobregat (Barcelona)
 Tel +34 934 742 423 · Fax +34 934 743 548
 export@nofer.com · www.nofer.com

Related Products



13037.B

13036.A.S

13039.A.S

13033.S

13048.S

13097.B