

Suspended toilet pan

- Suspended toilet pan in AISI 304 stainless steel.
- Horizontal drainpipe.
- Anti vandal, one piece welded construction and without edges.
- Designed for bathrooms with high use frequency.
- Easy to clean, durability and resistant against rust.
- Satin finish, also available in polish finish (NOFER 13018.B).



TECHNICAL DATA

- Made of AISI 304 stainless steel.
- Stainless steel plate thickness: 2 mm (rear plate and seat), 1 mm for the rest.
- Dimensions: 380 high x 355 wide x 550 deep mm.
- Water inlet connection Ø 60 mm and drainpipe outlet Ø 100 mm.
- Suitable for manual or automatic flusher system.
- Covers available: ABS (15028), wood (15031) and stainless steel (15029), all optionally.
- Optional: fixing frame NOFER 13019 and fixing frame with cistern NOFER 13100.
- Maintenance: Stainless steel needs maintenance because dust can eventually damage the chrome in stainless steel.

SUGGESTED TEXT FOR PRESCRIPTION

Suspended toilet pan NOFER or similar, in AISI 304 stainless steel satin finished. Horizontal drainpipe. Dimensions: 380 high x 355 wide x 550 deep mm. Water inlet connection Ø 60 mm and drainpipe outlet Ø 100 mm.

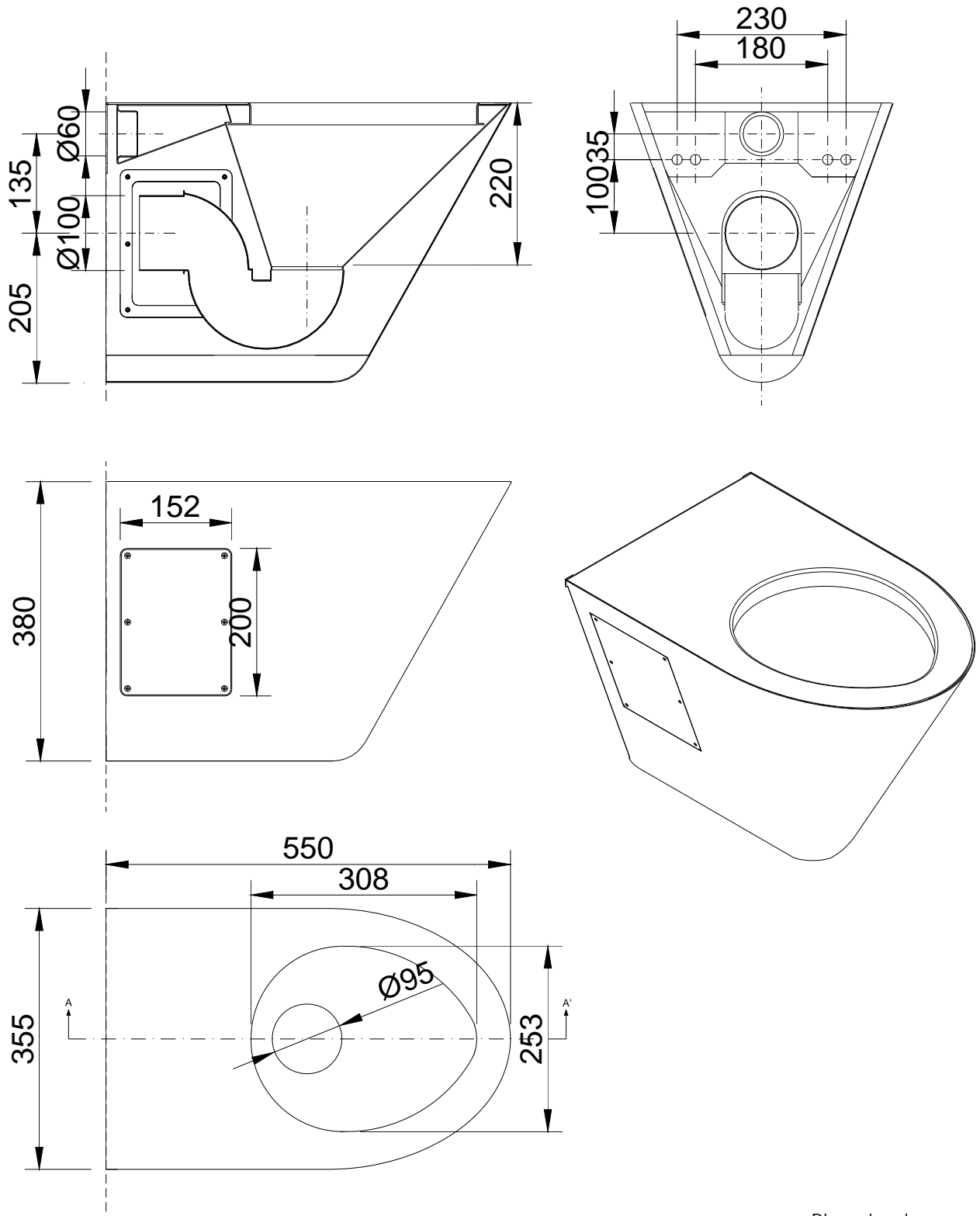


NOFER S.L.
 Avenida de la fama, 118
 08940 · Cornellà de Llobregat (Barcelona)
 Tel +34 934 742 423 · Fax +34 934 743 548
 export@nofer.com · www.nofer.com

Related Products



TECHNICAL DRAWING



Dimensions in mm