

Toilet with watertank

- Toilet with double discharge tank, in AISI 304 stainless steel..
- Vandal proof, totally welded without cutting edges.
- Designed for high frequency use.
- Easy to clean, durability and resistance against rust and corrosion.
- Satin finish. Also available polish finished (NOFER 13016.B).
- Includes a white PVC lid.


TECHNICAL DATA

- Made in AISI 304 stainless steel.
- Stainless steel plate thickness: 1,2 mm (water tank, surrounding board and bowl), 2 mm (toilet seat and rear board).
- Horizontal water outlet. Optional vertical outlet adding a 90° bend (NOFER 13111).
- Dimensions: 680 high x 370 width x 620 depth (mm).
- Outlet Ø 100 mm.
- Hidden water inlet. Connection: ½" (BSP) outside thread.
- Maintenance: stainless steel needs maintenance because dust can eventually damage the chrome in stainless steel. We recommend monthly cleaning with our special product.

SUGGESTED TEXT FOR PRESCRIPTION

Toilet NOFER or similar, in AISI 304 stainless steel with double discharge tank and white PVC lid. Dimensions: 680 high x 370 width x 620 depth (mm). Outlet Ø 100 mm.



NOFER S.L.
 Avenida de la fama, 118
 08940 · Cornellà de Llobregat (Barcelona)
 Tel +34 934 742 423 · Fax +34 934 743 548
 export@nofer.com · www.nofer.com

Related Products

13012.M.S

13002.S

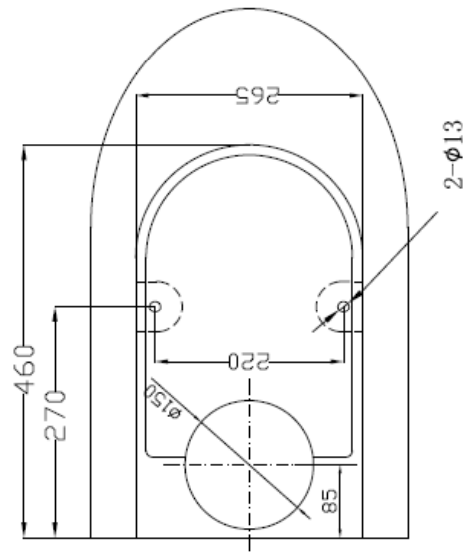
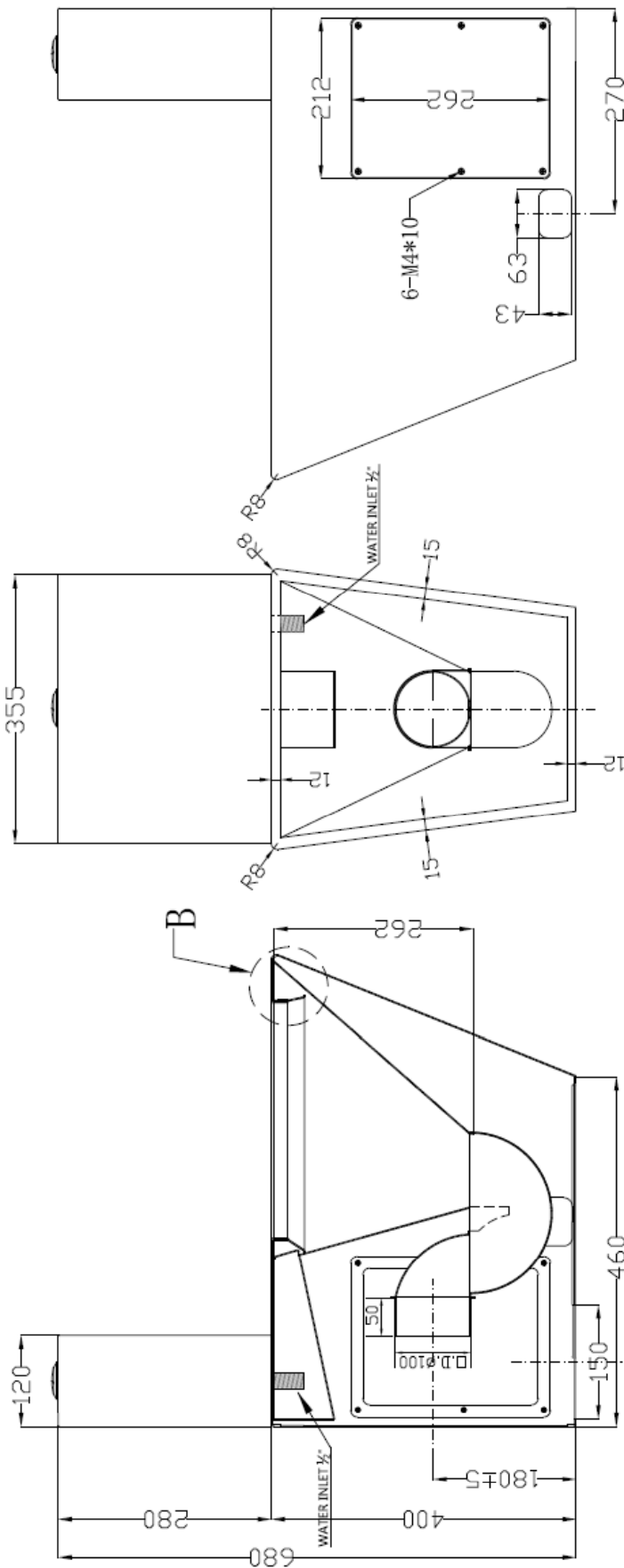
13012.S

13018

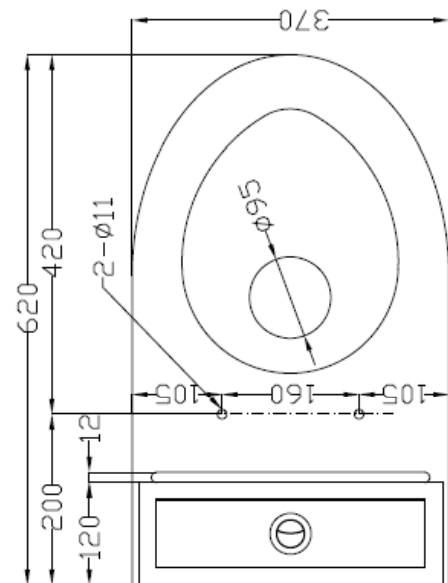
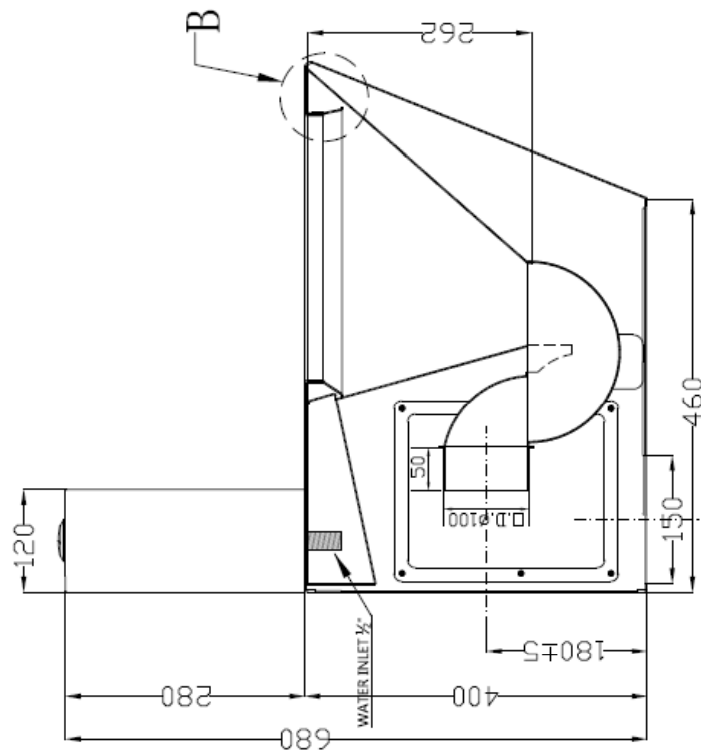
13022

13020

TECHNICAL DRAWING



BOTTOM VIEW



Dimensions in mm