

Stainless Steel WC floor pan horizontal outlet

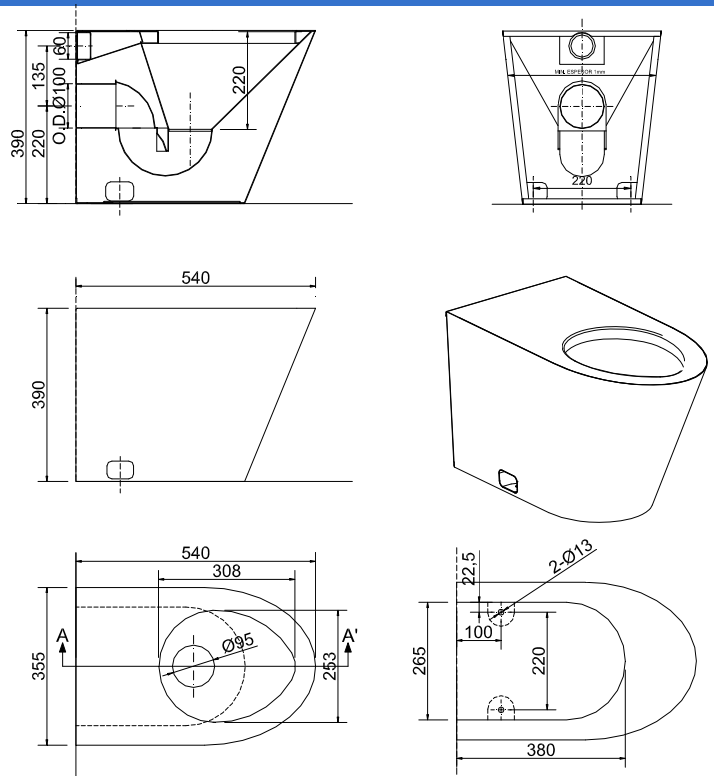
- Stainless steel WC floor pan with horizontal outlet.
- Anti vandal, totally welded without edges.
- Designed for high frequency public bathrooms.
- Easy to clean, durability and resistance against rust.
- Satin finish, also available in polish finish (NOFER 13012.B).



TECHNICAL DATA

- Made of AISI 304 stainless steel, 1.2 mm thick.
- Dimensions: 390 high x 355 wide x 540 deep mm.
- Water inlet connection Ø 60 mm and drain pipe Ø 100 mm.
- Optional: Covers available in ABS (15028), wood (15031) or stainless steel (15029).
- Optional: tank with holding frame (13100).
- Suitable for manual or automatic flusher system.

TECHNICAL DRAWING



Dimensions in mm

SUGGESTED TEXT FOR PRESCRIPTION

Stainless Steel WC pan with horizontal outlet NOFER or similar, in stainless steel AISI 304. Dimensions: 390 high x 355 wide x 540 deep mm. Water inlet connection Ø 60 mm and drain pipe Ø 100 mm.



NOFER S.L.
 Avenida de la fama, 118
 08940 · Cornellà de Llobregat (Barcelona)
 Tel +34 934 742 423 · Fax +34 934 743 548
 export@nofer.com · www.nofer.com

Related Products

