

Floor toilet pan

- Horizontal outlet floor toilet pan.
- Vandal proof, fully welded and polished without cutting edges.
- Suitable for collectivities, continuous use and environments with a high security demand.
- Durability and resistance against rust.
- Easy to clean.

TECHNICAL DATA

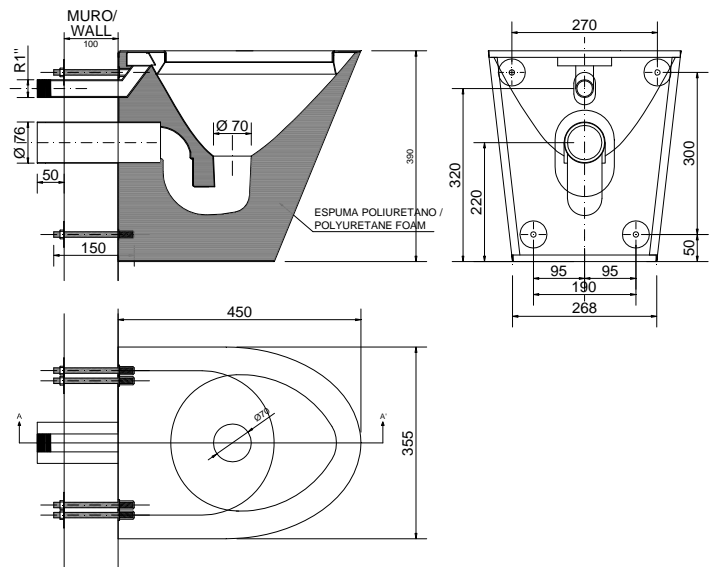
- Made in satin finished AISI 304 stainless steel.
- Dimensions: 390 mm high x 355 mm width x 450 mm depth.
- Delivered with internal expanded polyurethane foam avoiding possibility to make noise and making the unit stronger.
- Water inlet 1" G male thread.
- WC outlet Ø 76 mm.
- Maintenance: stainless steel needs maintenance because dust can eventually damage the chrome in stainless steel. We recommend monthly cleaning with our special product.



SUGGESTED TEXT FOR PRESCRIPTION

NOFER or similar, satin finished AISI 304 stainless steel floor toilet pan. Dimensions: 390 mm high x 355 mm width x 450 mm depth.

TECHNICAL DRAWING



NOFER S.L.
 Avenida de la fama, 118
 08940 - Cornellà de Llobregat (Barcelona)
 Tel +34 934 742 423 · Fax +34 934 743 548
 export@nofer.com · www.nofer.com

Related Products



13012.PL2



13012.PR2



13013



13018



13022



13023