

Ergonomic and antivandalic floor toilet pan

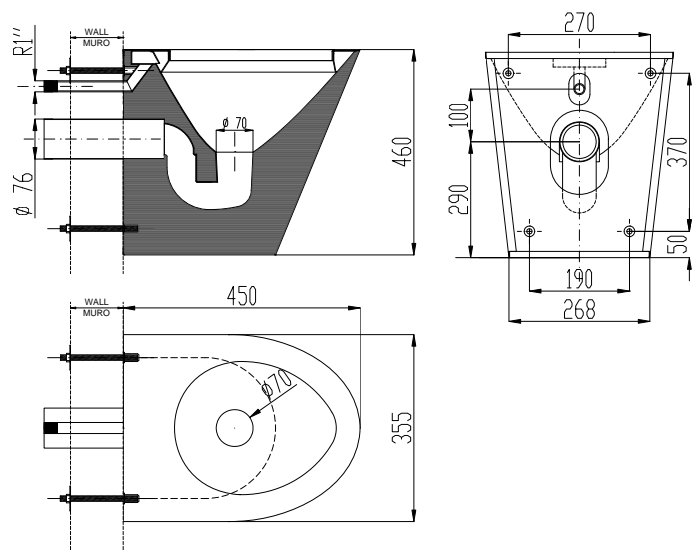
- Stainless steel floor toilet pan with horizontal drainpipe.
- Antivandalic finishing, totally welded construction and polished, with no edges.
- Suitable for collectivities, continuous use and environments with a high security demand.
- Durability and resistance against rust. Easy to clean.
- Stainless steel satin finish.


TECHNICAL DATA

- Made of stainless steel AISI 304.
- Dimensions: 460 high x 355 wide x 450 deep mm.
- Water inlet 1" G male thread.
- WC outlet Ø 76 mm.
- Suitable for manual or electronic discharge systems.
- Fixing bolts included.
- Maintenance: stainless steel needs maintenance because dust can eventually damage the chrome in stainless steel. We recommend monthly cleaning with our special product.

SUGGESTED TEXT FOR PRESCRIPTION

Ergonomic floor toilet pan NOFER or similar, in AISI 304 stainless steel satin finish. Horizontal drainpipe. Water inlet 1"G and outlet Ø76 mm. Dimensions: 460 high x 355 wide x 450 deep mm.

TECHNICAL DRAWING


Dimensions in mm



NOFER S.L.
 Avenida de la fama, 118
 08940 · Cornellà de Llobregat (Barcelona)
 Tel +34 934 742 423 · Fax +34 934 743 548
 export@nofer.com · www.nofer.com

Related Products


13012.P.S



13012.B



13013.S



13018.S



13022.B



13024