

Stainless Steel WC floor pan horizontal outlet

- AISI 304 stainless steel WC floor pan with horizontal outlet.
- Anti vandal, totally welded and without edges.
- Ergonomic and suitable for disabled.
- Designed for high frequency public bathrooms.
- Easy to clean, durability and resistance against rust.
- Satin finish, also available in polish finish (NOFER 13012.M.B).

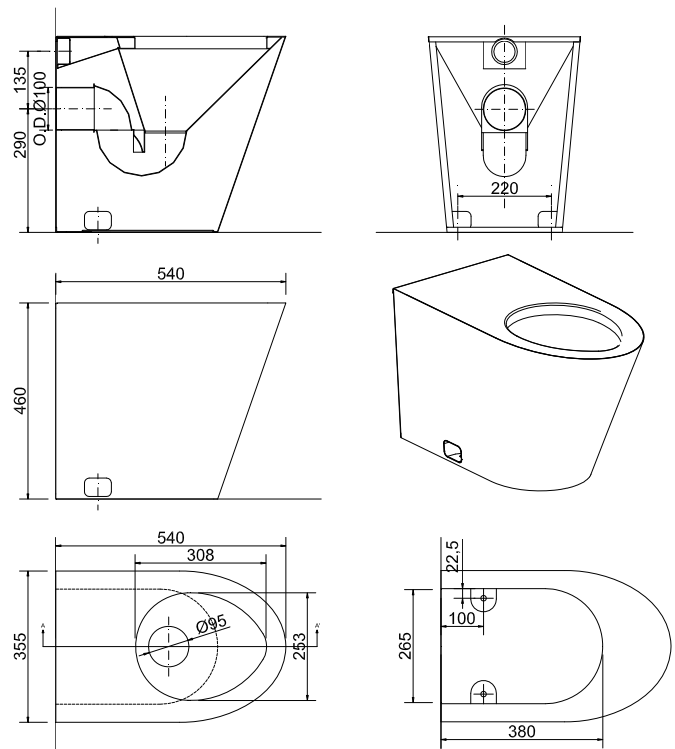


TECHNICAL DATA

- Made of AISI 304 stainless steel with 1.2 mm thickness.
- Dimensions: 460 high x 355 wide x 540 deep mm.
- Water inlet connection Ø 60 mm and drain pipe Ø 100 mm.
- Suitable for manual or automatic flusher systems.
- Optionally cover available in ABS (15028), wood (15031) or stainless steel (15029).



TECHNICAL DRAWING



Dimensions in mm

SUGGESTED TEXT FOR PRESCRIPTION

Toilet pan with horizontal outlet NOFER or similar, in AISI 304 stainless steel. Dimensions: 460 high x 355 wide x 540 deep mm. Water inlet connection Ø 60 mm and drain pipe Ø 100 mm.



NOFER S.L.
 Avenida de la fama, 118
 08940 · Cornellà de Llobregat (Barcelona)
 Tel +34 934 742 423 · Fax +34 934 743 548
 export@nofer.com · www.nofer.com

Related Products

