

Vandal proof urinal



- Stainless steel AISI 304 wall mounted urinal.
- Durability and resistance against rust and corrosion.
- Satin finished.
- Sturdy and vandal proof, suitable for collectivities, continuous use and penance environments.
- Designed for vandal proof installation through the wall. Suitable for variable wall thickness. Wall thickness needed before manufacture (please consult us).

TECHNICAL DATA

- Made in stainless steel AISI 304.
- Stainless steel plate thicknes: 2 mm (rear plate), 1,5 mm (bowl), 1,2 mm (side board).
- Dimensions: 600 mm high x 360 mm wide x 395 mm deep.
- Water inlet Ø ½" BSP, water outlet Ø 1" BSP.
- Installation: vandal proof installation through wall.
- Maintenance: stainless steel needs maintenance because dust can eventually damage the chrome in stainless steel. We recommend monthly cleaning with our special product.

SUGGESTED TEXT FOR PRESCRIPTION

NOFER or similar, satin finished AISI 304 stainless steel urinal for vandal proof installation through the wall. Dimensions: 600 mm high x 360 mm width x 395 mm depth.



NOFER S.L.
 Avenida de la fama, 118
 08940 - Cornellà de Llobregat (Barcelona)
 Tel +34 934 742 423 - Fax +34 934 743 548
 export@nofer.com - www.nofer.com

Related Products



13001.S



13001.B



13004.S



13011

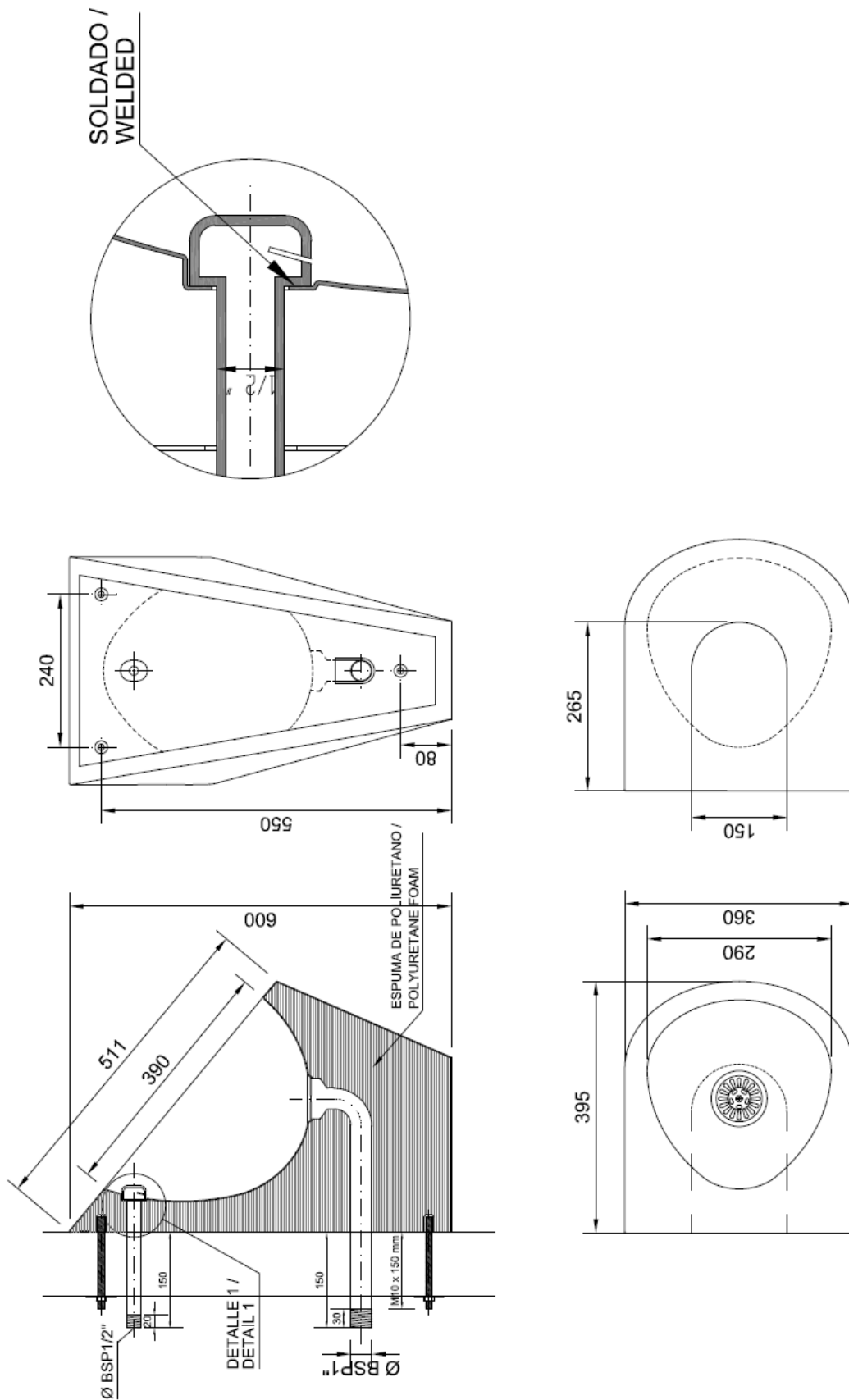


13003.12.S



13007.S

TECHNICAL DRAWING



NOFER S.L.
 Avenida de la fama, 118
 08940 - Cornellà de Llobregat (Barcelona)
 Tel +34 934 742 423 · Fax +34 934 743 548
 export@nofer.com · www.nofer.com