

Wall mounted waterless urinal



- AISI 304 stainless steel waterless urinal.
- Wall mounted.
- Durability and resistance against rust and corrosion.
- Satin finished. Also available polish finished (NOFER 13004.70.B).
- Equipped with waterless valve.

TECHNICAL DATA

- Made in AISI 304 stainless steel.
- Stainless steel plate thickness: 1,5 mm (urinal), 1,2 mm (side board).
- Dimensions: 600 height x 360 width x 395 depth (mm).
- Maintenance: stainless steel requires maintenance, after some time dust may damage the stainless steel chrome. We recommend a regular cleaning with a specific stainless steel cleaner.
- Waterless valve outlet Ø 38 mm.
- Installation: fixed through screws (not included). Recommended to use stainless steel screws for hang.



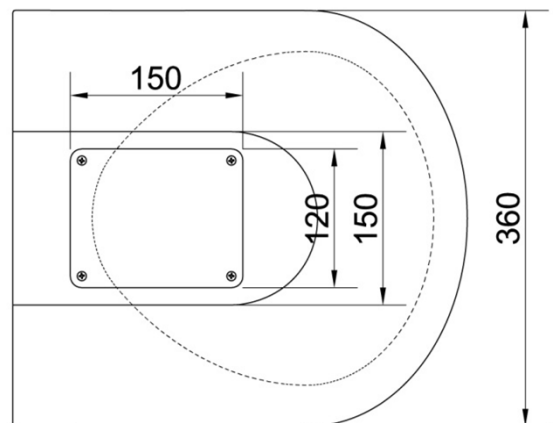
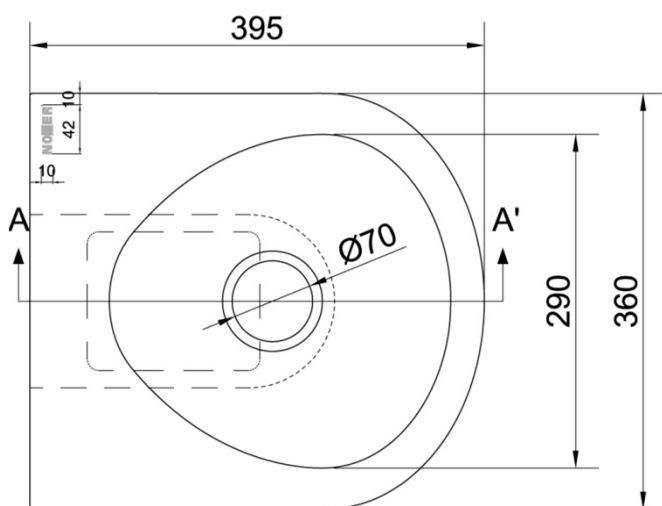
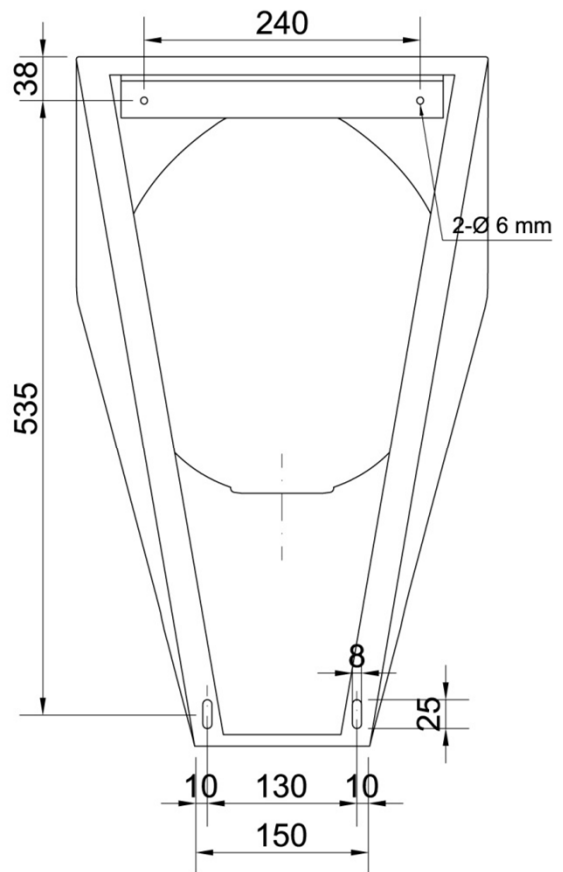
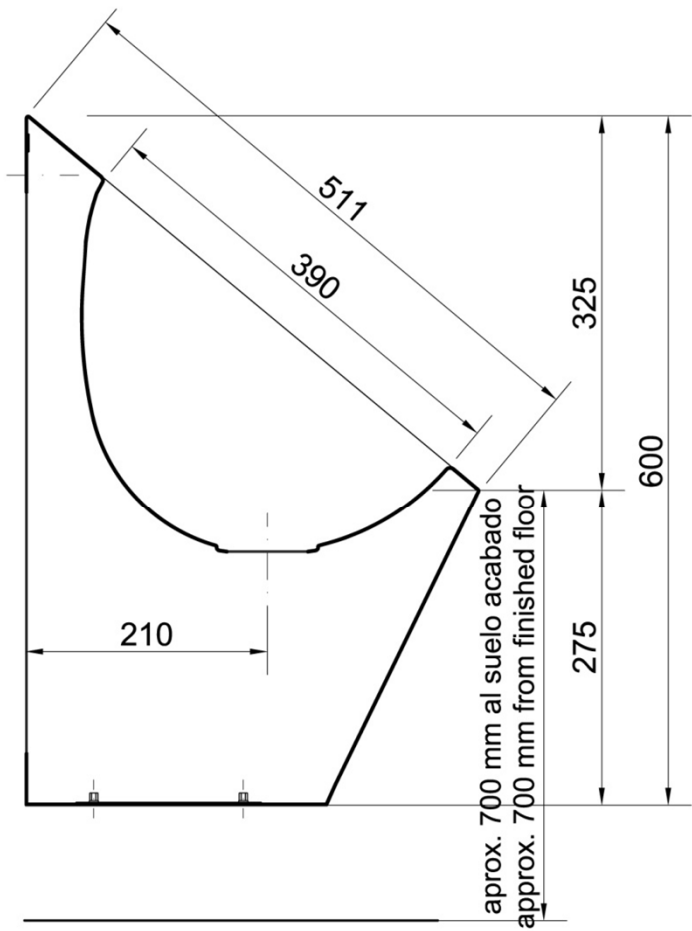
Waterless valve

SUGGESTED TEXT FOR PRESCRIPTION

NOFER or similar, waterless urinal. Wall mounted. Made of satin finished AISI 304 stainless steel. Equipped with waterless valve. Dimensions 600 height x 360 width x 395 depth (mm).



NOFER S.L.  
 Avenida de la fama, 118  
 08940 · Cornellà de Llobregat (Barcelona)  
 Tel +34 934 742 423 · Fax +34 934 743 548  
 export@nofer.com · www.nofer.com



NOFER S.L.  
Avenida de la fama, 118  
08940 - Cornellà de Llobregat (Barcelona)  
Tel +34 934 742 423 - Fax +34 934 743 548  
export@nofer.com - www.nofer.com