

Wall mounted collective urinal

- AISI 304 stainless steel collective urinal.
- Durability and resistant against rust.
- Satin finishing.
- Suitable for electronic or manual flushing system.

TECHNICAL DATA

- Made in AISI 304 stainless steel.
- Stainless steel plate thickness: 1,2 mm.
- Dimensions: 450 high x 1800 wide x 297 deep mm.
- Central outlet Ø 50 mm. Valve not included.
- Recommended drain height: 610 mm.
- Recommended water inlet height: 953 mm.
- Installation: wall fixing through 7 stainless steel screws Ø 5 mm ( not included ).
- Maintenance: stainless steel needs maintenance because dust can eventually damage the chrome in stainless steel. We recommend monthly cleaning with our special product.

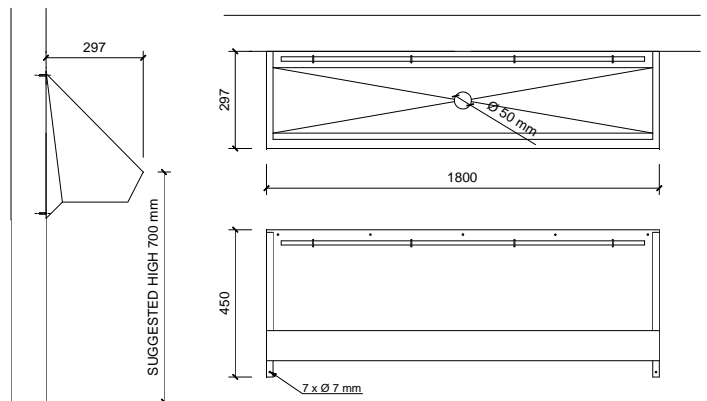


The picture belongs to NOFER 13003.12.S

SUGGESTED TEXT FOR PRESCRIPTION

Wall mounted collective urinal NOFER, in AISI 304 stainless steel. Suitable for electronic or manual flushing system. Dimensions: 450 high x 1800 wide x 297 deep mm.

TECHNICAL DRAWING



Dimensions in mm



NOFER S.L.  
 Avenida de la fama, 118  
 08940 · Cornellà de Llobregat (Barcelona)  
 Tel +34 934 742 423 · Fax +34 934 743 548  
 export@nofer.com · www.nofer.com

Related Products



13001.S



13003.24.S



13008.S



13004.P.S

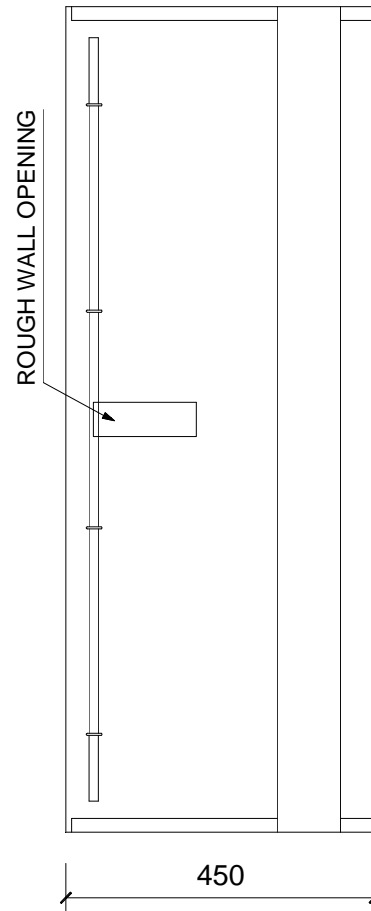
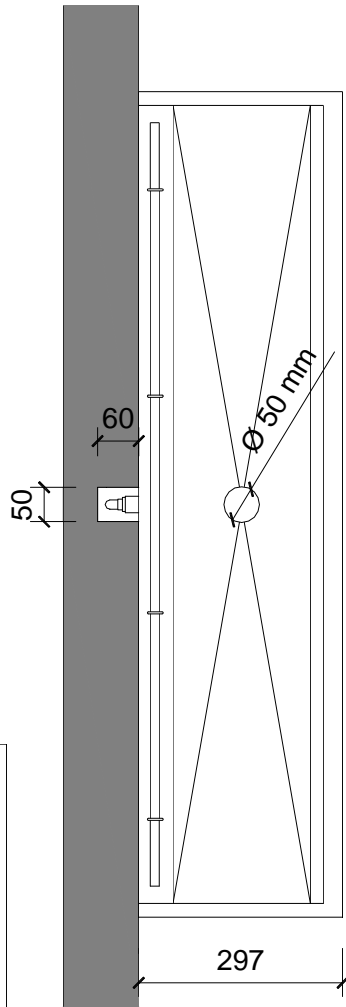


13020



13022.S

**INSTALATION: ROUGH WALL OPENING**  
 150 mm high x 50 mm wide x 60 mm deep.



Dimensions in mm

