

**Wall mounted urinal**

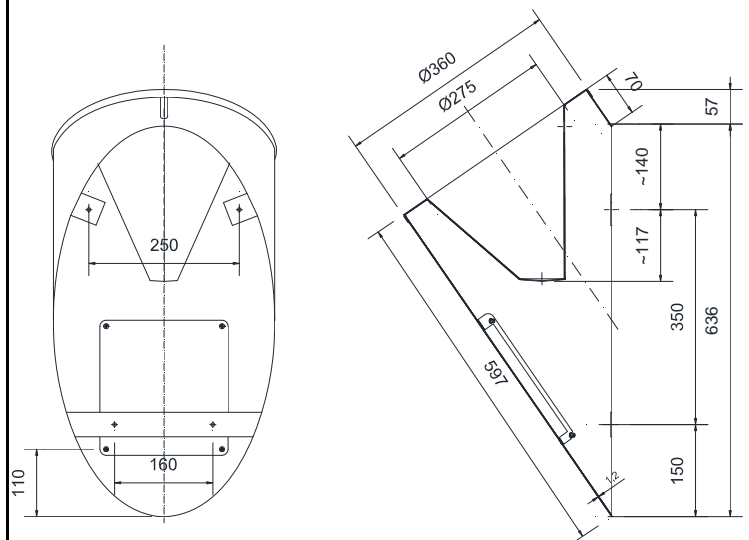

- AISI 304 stainless steel urinal.
- Durability and resistance against corrosion.
- Satin finish stainless steel. Also available in polished finish (NOFER 13002.B).
- Suitable for concealed flushometer water inlet.
- Suitable for collectivities and designed for high traffic bathroom and continuous use.
- Without edges for a safe use.

**TECHNICAL DATA**

- Made of AISI 304 stainless steel. Plate thickness 1,2 mm.
- Optional: concealed supporting frames NOFER 13101, 13102, 13103, 13104, 13101.2.
- Optional: valve and siphon NOFER 13114.
- Maintenance: stainless steel needs maintenance because dust can eventually damage the chrome in stainless steel. We recommend monthly cleaning with our special product.

**SUGGESTED TEXT FOR PRESCRIPTION**

NOFER AISI 304 stainless steel urinal or similar, wall mounted.  
Suitable for concealed flushometer water inlet.

**TECHNICAL DRAWING**


Dimensions in mm



NOFER S.L.  
Avenida de la fama, 118  
08940 · Cornellà de Llobregat (Barcelona)  
Tel +34 934 742 423 · Fax +34 934 743 548  
export@nofer.com · www.nofer.com

**Related Products**


13001.S



13004.S



13004.P.S



13008.S



13003.12.S



13007.S