

Mural cold water fountain

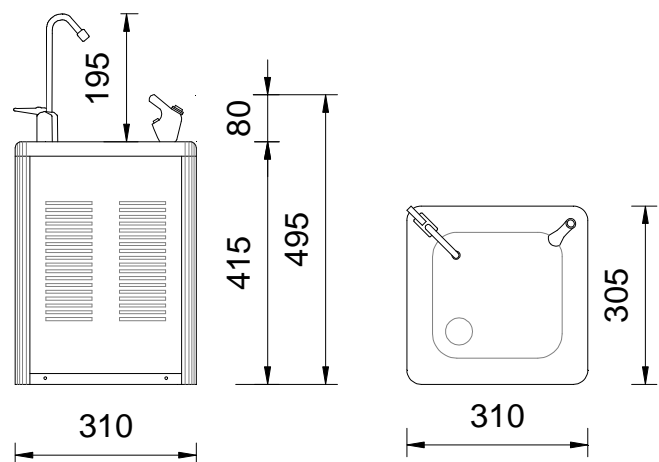
- Mural cold water fountain with faucet and spout for bottle's filling.
- Connection to water pipe, with drainage.
- Suitable for institutions and public indoor areas of high traffic.
- Manual override through push button/switch.
- Robust, vandal-proof and safe, as it is built without sharp edges or other dangerous elements.


TECHNICAL DETAILS

- Casing made in AISI 304 stainless steel, polish finish.
- Push button and pump made in chromed brass.
- Stainless steel tray that collects the excess of water.
- Accessible front panel for fillers' installation (not included).
- Compressor power: 1/6 Hp.
- Power: 170 W. Voltage 230 V – 50 Hz.
- Water Cooling capacity 18°C (32°C): 30 (12)l/h.
- Ecological Refrigerant : HFC134a.
- Dimensions: 415 mm high x 310 mm wide x 305 mm deep. Overall height with pipe-filled vessels: 610 mm.
- Net / Gross Weight: 18 / 19 kg.
- Water inlet: R 3/8".

SUGGESTED TEXT FOR PRESCRIPTION

Cold water fountain NOFER or similar, with faucet and spout, with water connection and drainage. Made of stainless steel bright finish. Water Cooling capacity 30 (12) liters / hour. Dimensions: 610 mm high x 310 mm wide x 305 mm deep.

TECHNICAL DRAWING


NOFER S.L.
 Avenida de la fama, 118
 08940 · Cornellà de Llobregat (Barcelona)
 Tel +34 934 742 423 · Fax +34 934 743 548
 nofer@nofer.com · www.nofer.com

Related Products


10002



10004.F



10004.S



10023



10024



10025