

Tap to fill up jars

- Tap to fill up jars.
- To fix to a water fountain.
- Swivel arm, for an easier use.
- Suitable for collectivities and public indoor spaces.



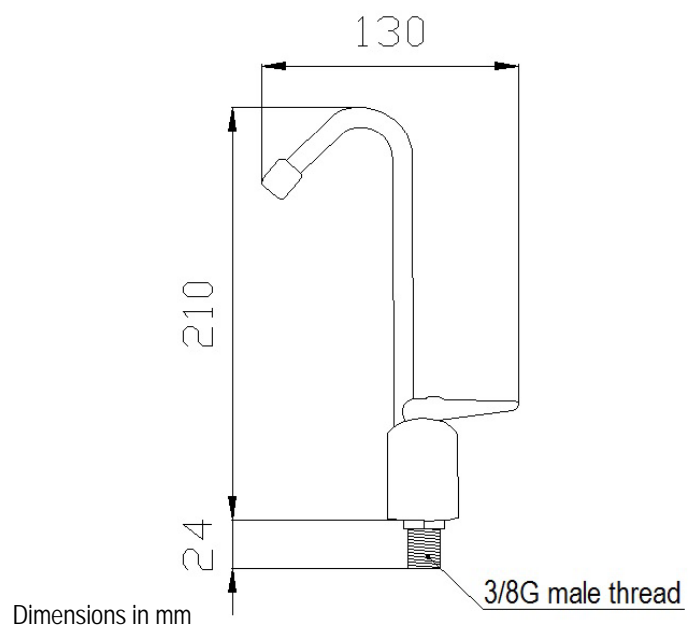
TECHNICAL DETAILS

- Manufactured in stainless steel.
- Maximum dimensions: 210 high x 33 wide x 130 deep mm.
- 3/8 G male inlet thread.
- Maintenance: Stainless steel needs maintenance because dust can eventually damage the chrome in stainless steel. We recommend monthly cleaning with our special product.

SUGGESTED TEXT FOR PRESCRIPTION

Tap to fix to a water fountain NOFER or similar, to fill up jars. Manufactured in stainless steel. Maximum dimensions: 210 high x 33 wide x 130 deep mm.

TECHNICAL DRAWING



NOFER S.L.
 Avenida de la fama, 118
 08940 · Cornellà de Llobregat (Barcelona)
 Tel +34 934 742 423 · Fax +34 934 743 548
 nofer@nofer.com · www.nofer.com

Related Products



10090



10091



10002



10004.F



10004.S



10023