

Wall mounted fountain



- Wall mounted stainless steel fountain.
- Includes outlet valve and jet faucet.
- Suitable for collectivities and public places.
- Durability and resistance against rust and corrosion.

TECHNICAL DATA

- Made in polish finished AISI 304 stainless steel.
- Dimensions: 143 high x 300 width x 300 depth (mm). Bowl diameter 200 mm.
- Recommended installation high: aprox. 1020 mm from finished floor.
- Faucet location on the right or left side (optional).
- Maintenance: stainless steel needs maintenance because dust can eventually damage the chrome in stainless steel. We recommend monthly cleaning with our special product.

SUGGESTED TEXT FOR PRESCRIPTION

NOFER or similar, polish finished AISI 304 stainless steel fountain. Outlet valve and jet faucet included. Dimensions: 143 high x 300 width x 300 depth (mm). Bowl diameter 200 mm.



NOFER S.L.
 Avenida de la fama, 118
 08940 · Cornellà de Llobregat (Barcelona)
 Tel +34 934 742 423 · Fax +34 934 743 548
 export@nofer.com · www.nofer.com

Related Products



10002



10080



10071



10024

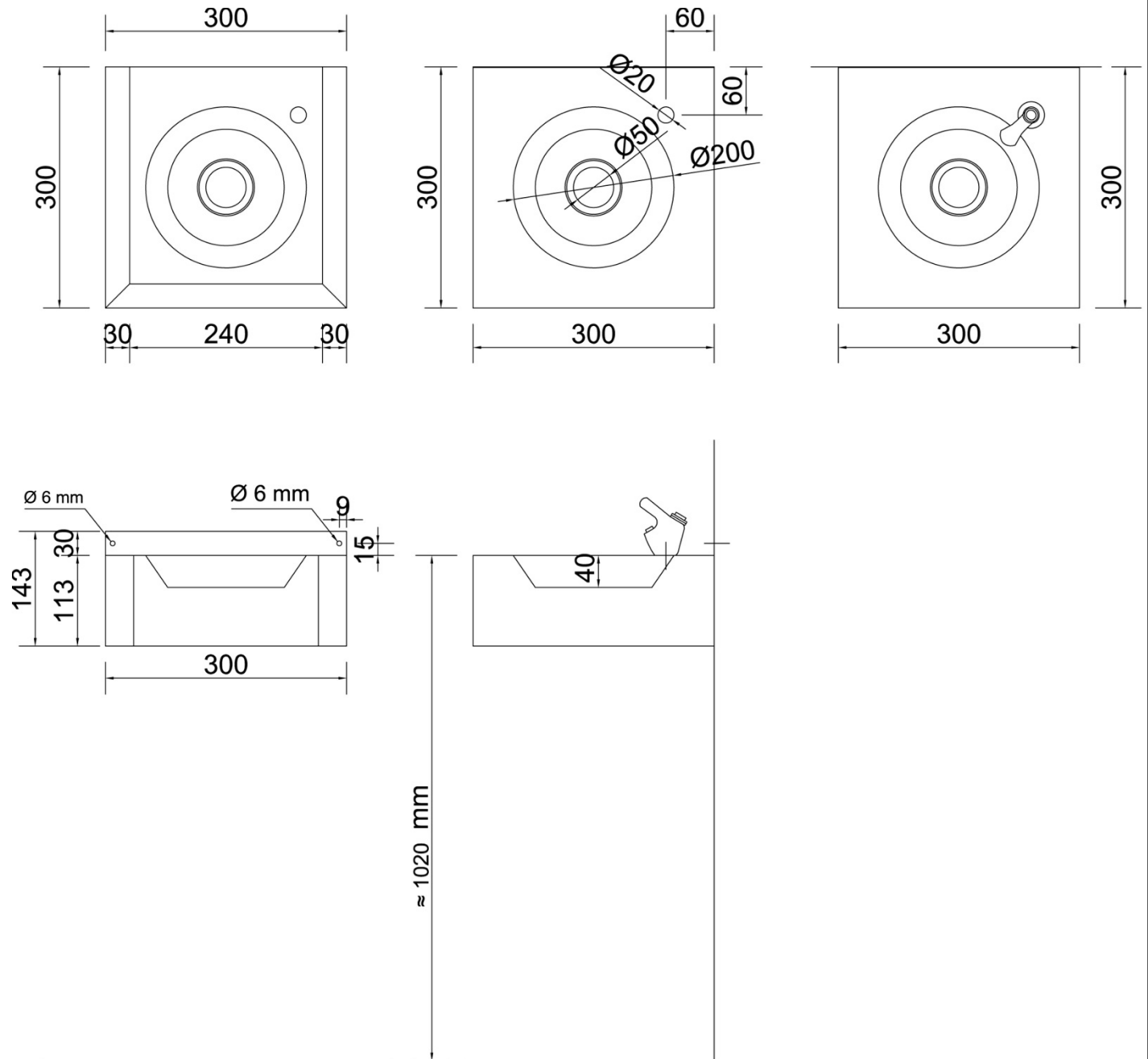


10005



10010

TECHNICAL DRAWING



DIMENSIONS IN mm



NOFER S.L.
 Avenida de la fama, 118
 08940 · Cornellà de Llobregat (Barcelona)
 Tel +34 934 742 423 · Fax +34 934 743 548
 export@nofer.com · www.nofer.com