

Cold water fountain

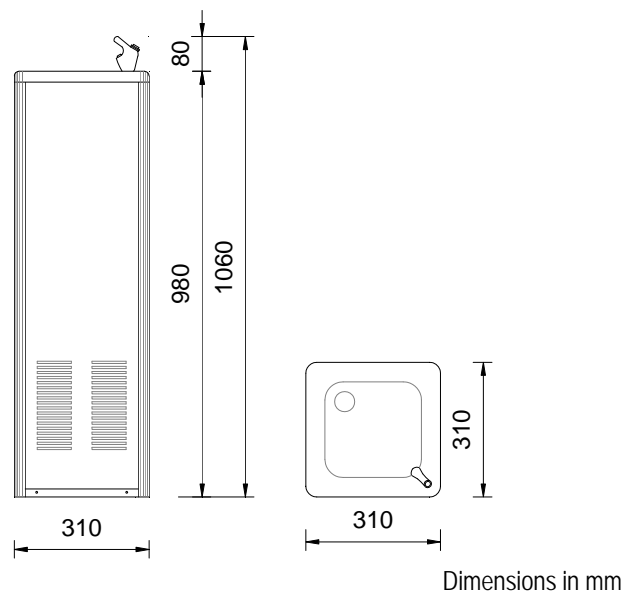

- Fountain with tray and deposit in stainless steel.
- Includes one tap with push button.
- Suitable for collectivities and indoor public areas. Not recommended for outdoor spaces.
- Anti-corrosion guarantee at copper pipes.
- Capacity: 25 liters / hour.
- Easy access to both cooling and electrical system for the front panel.
- Possibility to insert water filters.

TECHNICAL DATA

- Manufactured in AISI 304 stainless steel, satin finish. Also available in gray painted steel (NOFER 10004.F).
- Compressor power: 1/2 HP.
- Power: 100 W. Net voltage: 230 V – 50 Hz.
- Refrigeration gas: R 134a.
- With a thermostat which regulates the water outlet temperature.
- Dimensions: 1060 high x 310 wide x 310 deep mm.
- Installation: adjustable water inlet at any height, water outlet at 70 cm to floor.

SUGGESTED TEXT FOR PRESCRIPTION

Cold water fountain NOFER or similar, with tap. Made of AISI 304 stainless steel, satin finish. Capacity: 25 liters / hour. Dimensions: 1060 high x 310 wide x 310 deep mm.

TECHNICAL DRAWING


NOFER S.L.
 Avenida de la fama, 118
 08940 · Cornellà de Llobregat (Barcelona)
 Tel +34 934 742 423 · Fax +34 934 743 548
 nofer@nofer.com · www.nofer.com

Related Products

10002

10004.F

10023

10080

10010

10024