

Hygienic bin

- Hygienic bin made of white coated steel. Also available satin finished stainless steel (NOFER 09103.S) and polish finished stainless steel (NOFER 09103.B).
- Suitable for collectivities.
- Resistance and durability.
- Cover opened by pedal.
- Black plastic inner bucket with handle.



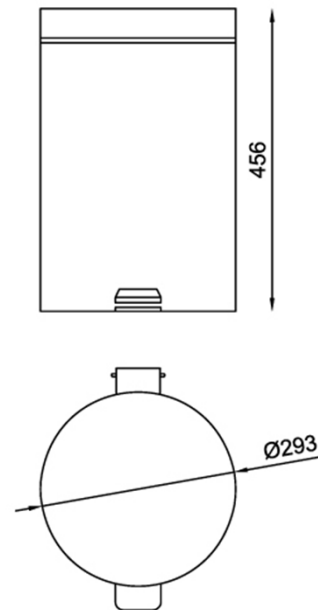
TECHNICAL DATA

- Made of white coated steel.
- Dimensions: 456 mm high, Ø 293 mm.
- Capacity: 20 liters.

SUGGESTED TEXT FOR PRESCRIPTION

NOFER hygienic bin made of white coated steel. Plastic inner bucket with handle. Capacity 20 liters. Dimensions: 456 mm high, Ø 293 mm.

TECHNICAL DRAWING



Dimensions in mm



NOFER S.L.  
 Avenida de la fama, 118  
 08940 · Cornellà de Llobregat (Barcelona)  
 Tel +34 934 742 423 · Fax +34 934 743 548  
 nofer@nofer.com · www.nofer.com

Related Products



09004.S



09005



09003



09100.S



09101.S



09102.S