

Hygienic bin

- Hygienic bin made of polish finished stainless steel. Also available satin finished stainless steel (NOFER 09101.S) and white coated steel (NOFER 09101.W).
- Suitable for collectivities.
- Resistance and durability.
- Cover opened by pedal.
- Black plastic inner bucket with handle.



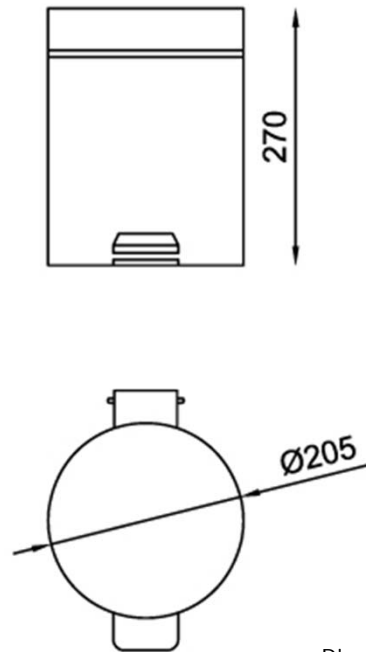
TECHNICAL DATA

- Made of polish finished AISI 430 stainless steel.
- Dimensions: 270 mm high, Ø 205 mm.
- Capacity: 5 liters.
- Maintenance: stainless steel needs maintenance because dust can eventually damage the chrome in stainless steel. We recommend monthly cleaning with a stainless steel special product.

SUGGESTED TEXT FOR PRESCRIPTION

NOFER or similar, hygienic bin made of polish finished stainless steel. Plastic inner bucket with handle. Capacity 5 liters. Dimensions: 270 mm high, Ø 205 mm.

TECHNICAL DRAWING



Dimensions in mm



NOFER S.L.
 Avenida de la fama, 118
 08940 · Cornellà de Llobregat (Barcelona)
 Tel +34 934 742 423 · Fax +34 934 743 548
 nofer@nofer.com · www.nofer.com

Related Products

