

Soap basket

- Rectangular soap basket.
- Suitable for collectivities.
- Resistance and durability.



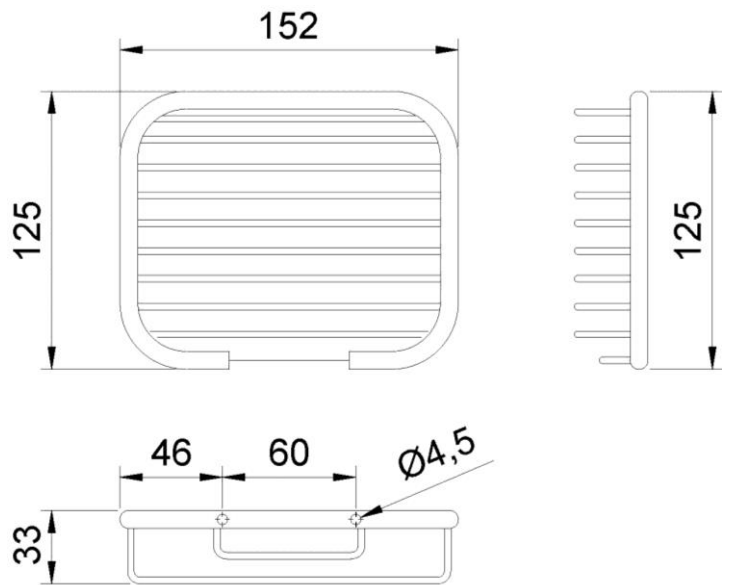
TECHNICAL DATA

- Made of chrome plated brass, polish finished.
- Dimensions: 33 height x 152 width x 125 depth (mm).
- Fixing components included.
- Fixing hidden.

SUGGESTED TEXT FOR PRESCRIPTION

NOFER chrome plated brass soap basket, polish finished.
Dimensions: 33 height x 152 width x 125 depth (mm).

TECHNICAL DRAWING



DIMENSIONS IN mm



NOFER S.L.
Avenida de la fama, 118
08940 · Cornellà de Llobregat (Barcelona)
Tel +34 934 742 423 · Fax +34 934 743 548
export@nofer.com · www.nofer.com

Related Products



09054.B



09053.B



09052.B