

Magnifying extensible mirror

- 3 times magnifying extensible mirror.
- LED backlight.
- With extensible arm.
- High durability and resistant against rust.
- Certified with CE european norm.



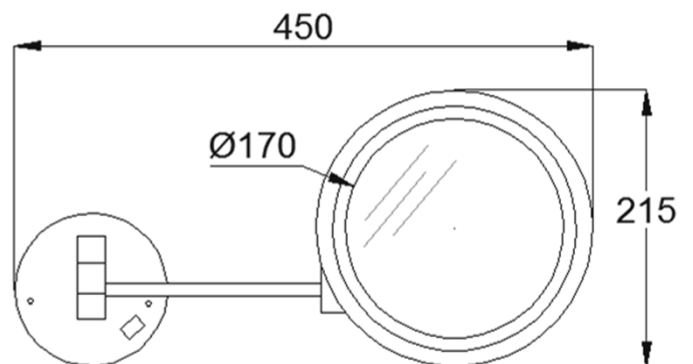
TECHNICAL DATA

- Made of chromed brass.
- Connected to electric network. Equipped with a 140 cm long cable.
- Dimensions: Ø 170 mm mirror surface. 28 cm extensible arm. Mirror deployed dimensions: 215 height x 450 width x 80 depth (mm)
- Ø 120 mm diameter wall fixing with light switcher.
- Wall fixings included.

SUGGESTED TEXT FOR PRESCRIPTION

NOFER extensible mirror with made of chromed brass. Extensible arm, wall fixed, LED backlight, 3x magnifying mirror. Mirror deployed dimensions: 215 height x 450 width x 80 depth (mm). Ø 170 mm mirror surface.

TECHNICAL DRAWING



DIMENSIONS IN mm



NOFER S.L.
 Avenida de la fama, 118
 08940 · Cornellà de Llobregat (Barcelona)
 Tel +34 934 742 423 · Fax +34 934 743 548
 export@nofer.com · www.nofer.com

Related Products



08012



08007



08009.2



08015