

Foot operated tap

- Push button foot operated tap.
- Designed to built in.



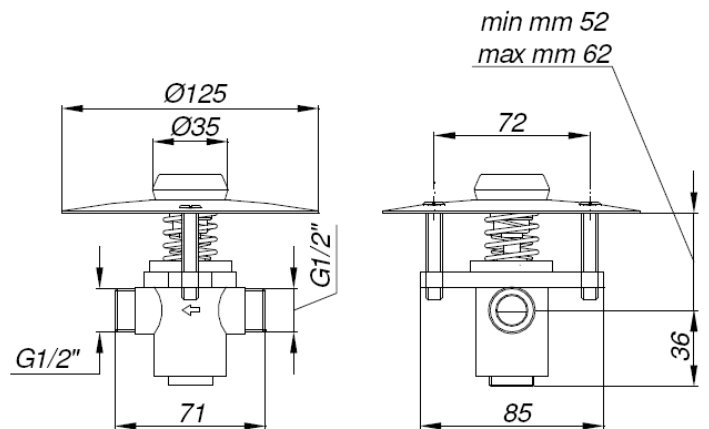
TECHNICAL DATA

- Water pressure: min. 1 max. 6 bar.
- Recommended pressure: 2-4 bar.
- Work temperature: 5-65 °C.
- Flow time: 15 s +/- 5 s @ 3 bar.
- Flow rate: 0,62 m³/h.

SUGGESTED TEXT FOR PRESCRIPTION

NOFER or similar, push button foot operated tap. Dimensions: Ø 125 mm. Built in depth: maximum 98 mm.

TECHNICAL DRAWING



NOFER S.L.
 Avenida de la fama, 118
 08940 - Cornellà de Llobregat (Barcelona)
 Tel +34 934 742 423 · Fax +34 934 743 548
 export@nofer.com · www.nofer.com

Related Products



07113



07114