

Faucet with mixer pedal

- Floor based faucet with mixer pedal.
- Allows the control of the faucet without using hands.
- Durability and resistance against weathering.



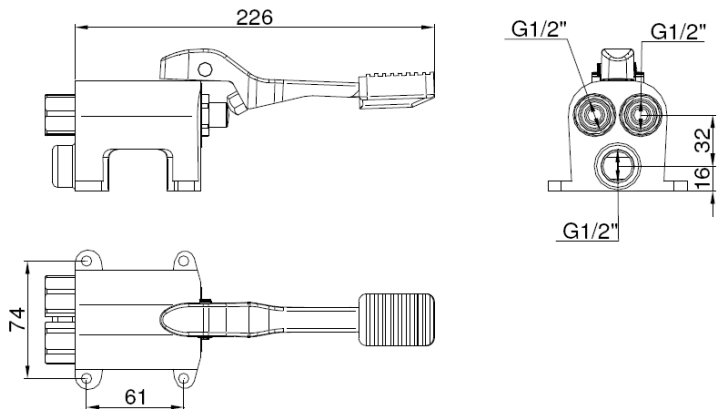
TECHNICAL DATA

- Manufactured in chromed brass.
- With progressive pressure it is obtained first cold water, then mixed and finally hot water.
- Water flow: 0,59m³/h (1bar)
- Work temperature range: 5 – 70°C.
- Work pressure range: 0,5 – 8 bar.
- Outlet and Inlet diameter G ½ ”.

SUGGESTED TEXT FOR PRESCRIPTION

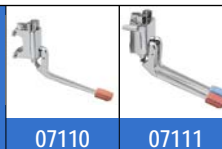
NOFER or similar single pedal mixer faucet with floor fixations.
Dimensions: width 75 mm x depth 226 mm.

TECHNICAL DRAWING



NOFER S.L.
Avenida de la fama, 118
08940 · Cornellà de Llobregat (Barcelona)
Tel +34 934 742 423 · Fax +34 934 743 548
export@nofer.com · www.nofer.com

Related Products



07110

07111