

Concealed self closing flush valve

- Concealed self closing flush valve.
- Heavy duty, suitable for public areas and high frequency places.
- Robust body in chrome plated brass.



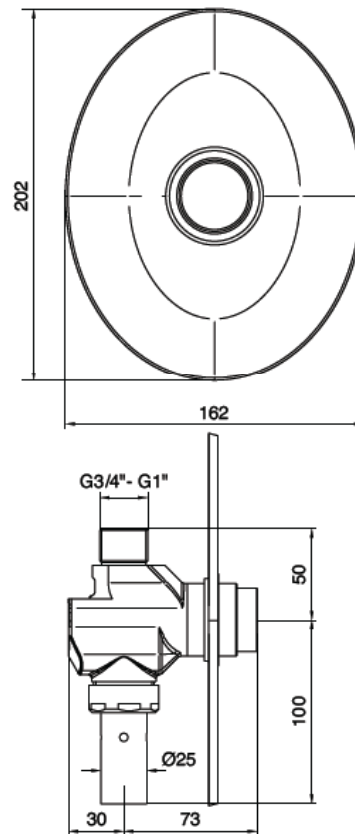
TECHNICAL DATA

- Push button and frontal cover made in chromed brass.
- 3/4" G water inlet.
- Flow time: 8 seconds at 3 bar.
- Dimensions: 162 width x 202 height x 103 depth (mm).

SUGGESTED TEXT FOR PRESCRIPTION

NOFER or similar concealed self closing flush valve made in chromed brass. Water inlet 3/4 " G. Dimensions: 162 mm width x 202 mm height x 103 mm depth.

TECHNICAL DRAWING



DIMENSIONS IN mm



NOFER S.L.
 Avenida de la fama, 118
 08940 · Cornellà de Llobregat (Barcelona)
 Tel +34 934 742 423 · Fax +34 934 743 548
 export@nofer.com · www.nofer.com

Related Products



07078



07079



07080



07081



07076.1



07082